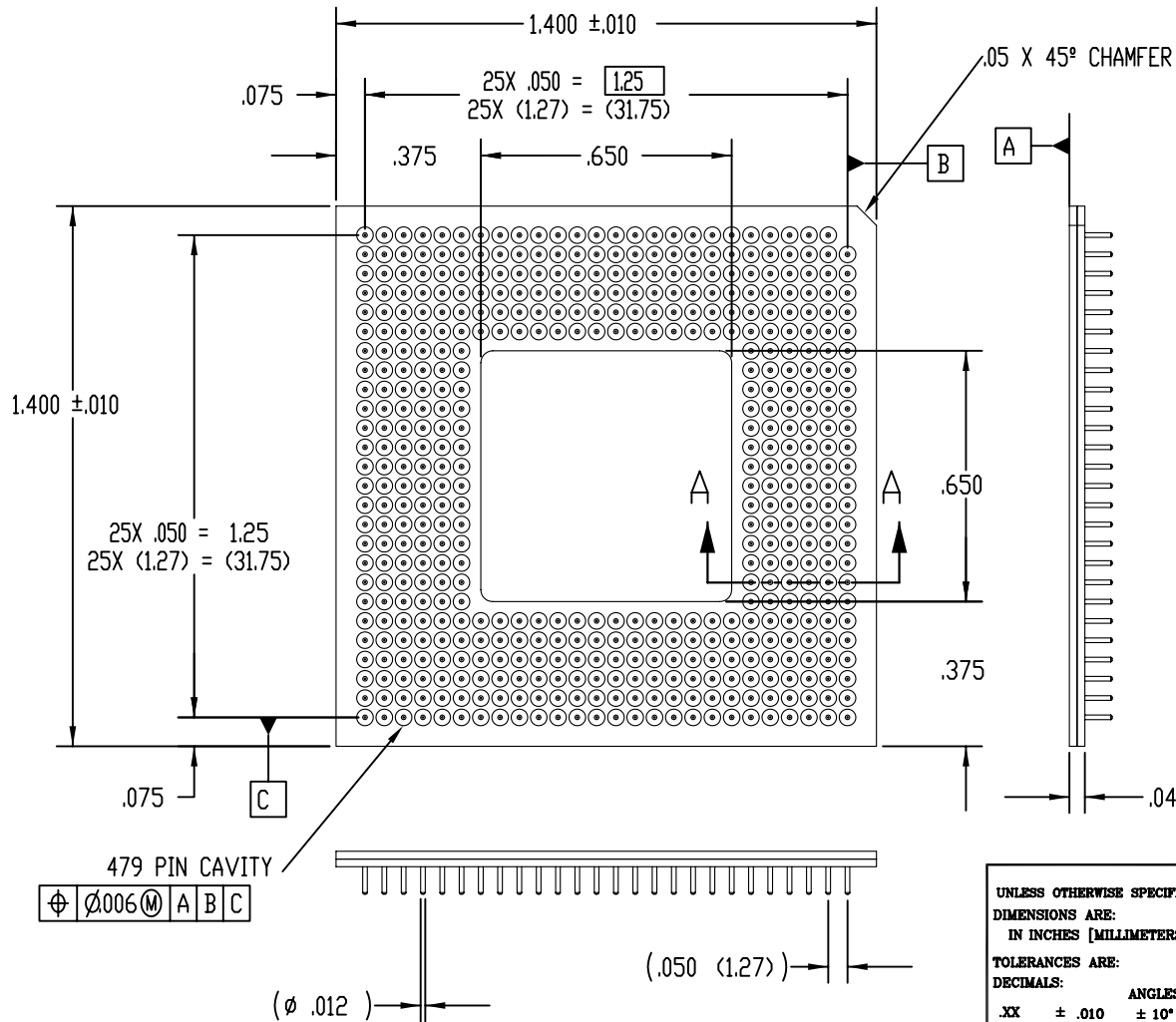


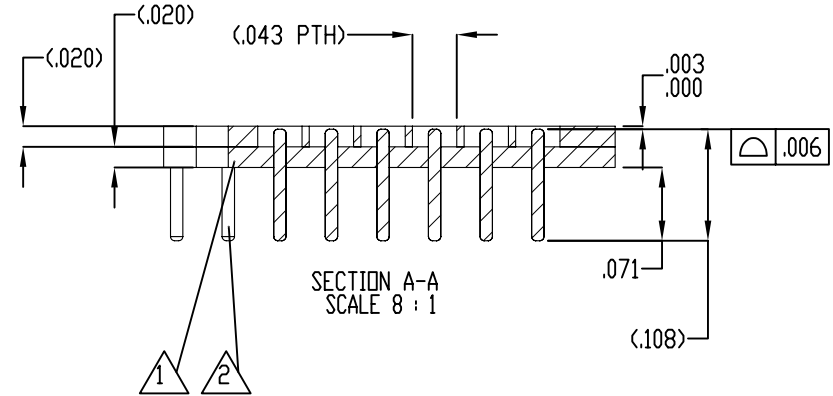
REV	DESCRIPTION	DATE	BY
A	NEW DRAWING	01/25/07	H.N.
B	REVISED TRUE POSITION TOLERANCE	02/07/07	H.N.

F7919



NOTES:

1. INSULATOR MATERIAL: FR4, BLACK, Tg125°C
2. MATERIAL IS C510 PHOSPHOR BRONZE.
PLATING IS AS FOLLOWS:
 NI UNDERPLATE: .000050 MIN PER QQ-N-290.
 Au OVERPLATE: .000030 MIN PER MIL-G-45204, TYPE 1, GRADE C OR
 ASTM-B-488, TYPE 2, CODE C.



UNLESS OTHERWISE SPECIFIED: DIMENSIONS ARE: IN INCHES [MILLIMETERS] TOLERANCES ARE: DECIMALS: .XX ± .010 ANGLES: ± 10° .XXX ± .005 FRACTIONS: [X] ± .25 ± 1/64 [.XX] ± .013 [XXX] ± .013			Emulation Technology, Inc. — VLSI and SMT ADAPTERS and ACCESSORIES —	
	SHEET: 1 OF 1		DATE: 01/25/07	
	REVISION: B		ASSEMBLY DRAWING	
	CHECKED:		DRAWN: H.N.	
Scale N/A		DO NOT SCALE DRAWING		ITEM: HLP-260479-A-12 DESCRIPTION: HLP-260479-A-12
		2344 Walsh Avenue, Bldg.F Santa Clara, Ca 95051		TEL:(408)982-0660 FAX:(408)982-0664