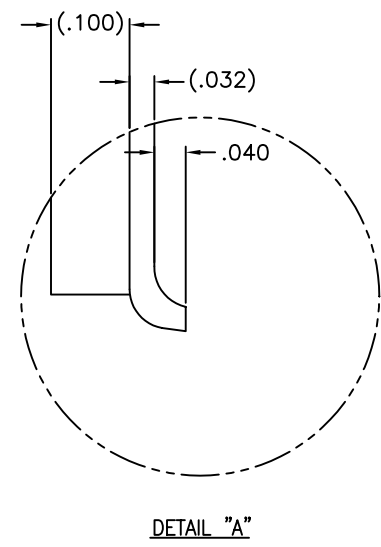
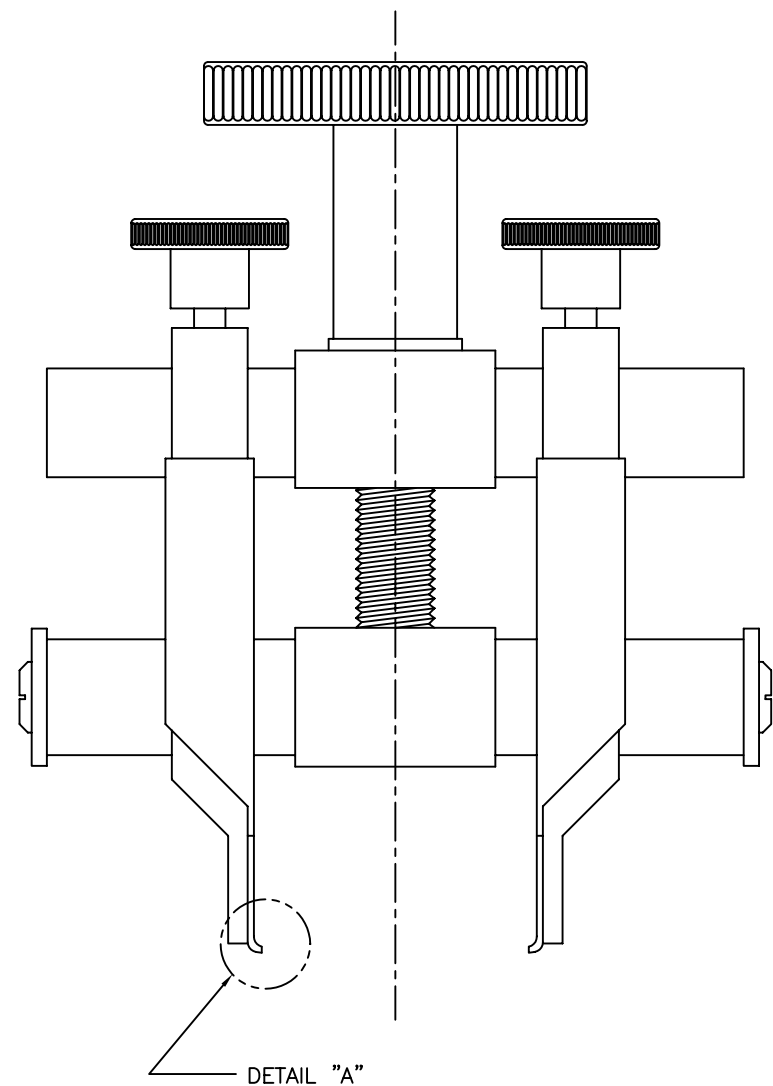
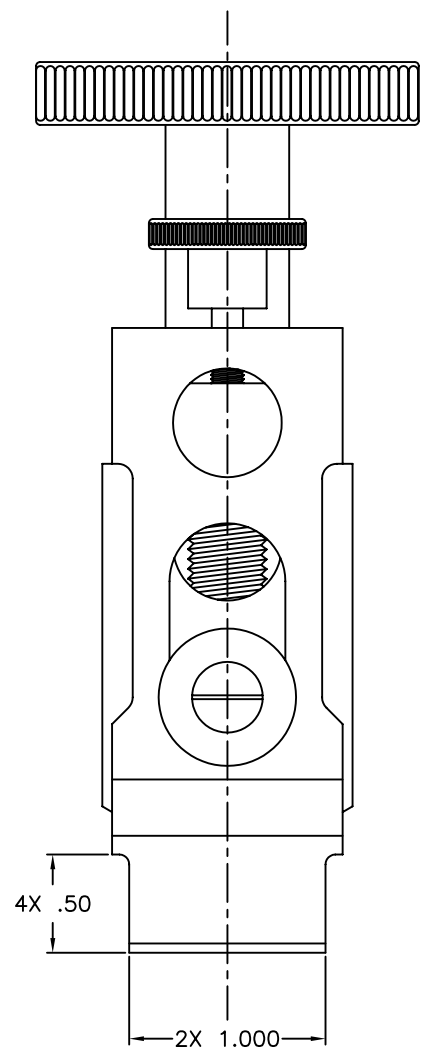


REV	DESCRIPTION	DATE	BY
A	NEW DRAWING	01/02/07	H.N.

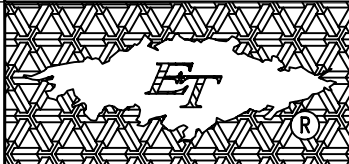
F7906



1. MATERIAL: E00002-1

UNLESS OTHERWISE SPECIFIED:
 DIMENSIONS ARE IN INCHES
 [ALTERNATE] DIMENSIONS ARE IN MILLIMETERS
 TOLERANCES:
 ANGLES: ±
 FRACTIONS: ±1/64
 DECIMALS:
 .XX ±.01
 .XXX ±.005
 .XXXX ±.0005

ALL DIMENSIONS ARE IN INCHES UNLESS OTHERWISE SPECIFIED



Emulation Technology, Inc.
 — VLSI and SMT ADAPTERS and ACCESSORIES —

2344 Walsh Avenue, Bldg.F Santa Clara, Ca 95051
 TEL:(408)982-0660 FAX:(408)982-0664

SHEET: 1 OF 1	DATE: 01/02/07	REVISION: A	ASSEMBLY DRAWING
CHECKED: Perry Munroe	DRAWN: Huy Nguyen	ITEM: E00002-2	DESCRIPTION: E00002-2
Scale N/A	DO NOT SCALE DRAWING		