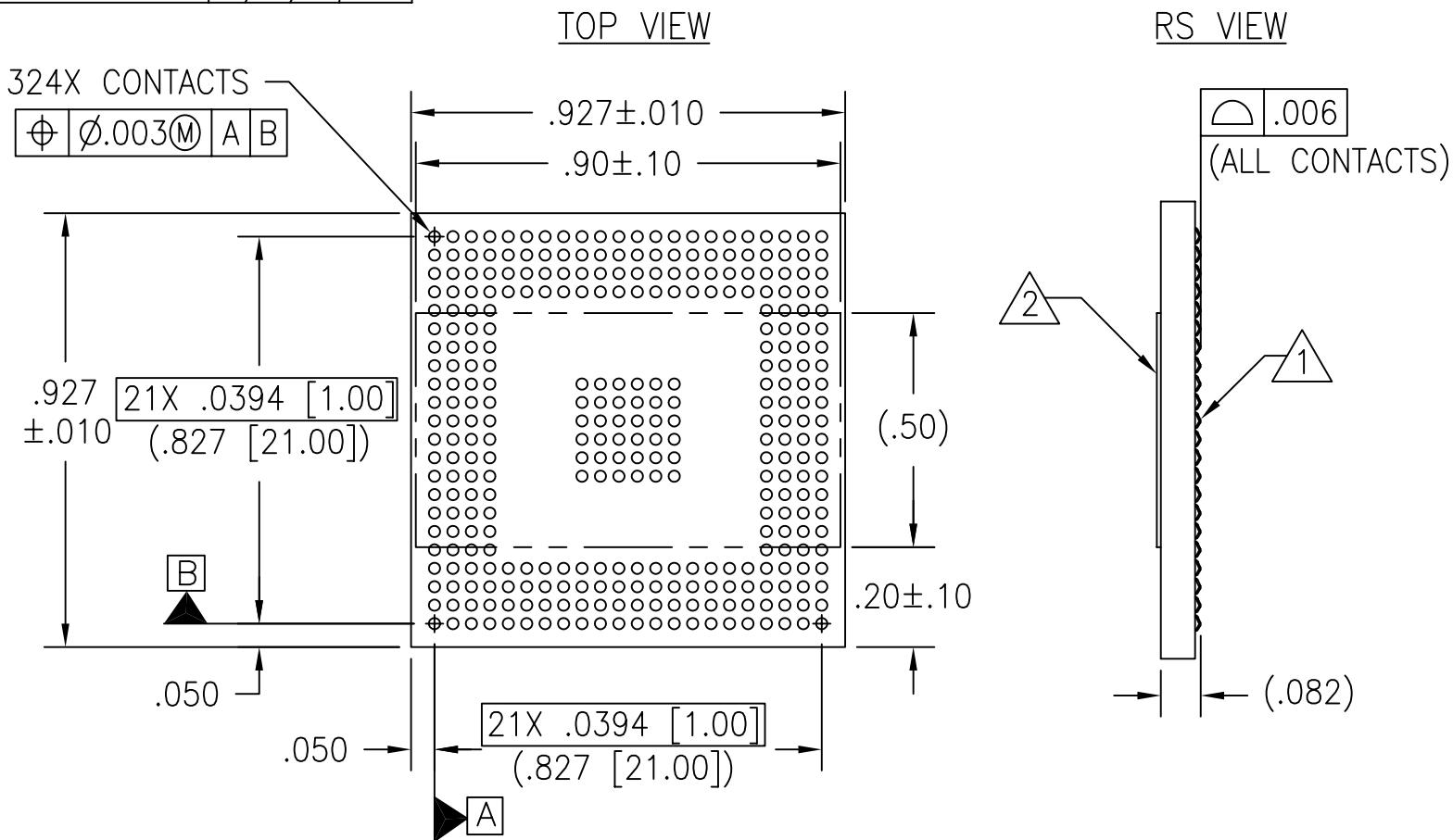


REV	DESCRIPTION	DATE	BY
A	NEW DRAWING	03/09/06	H.N.

F7746



NOTES:

1. CONTACT MATERIAL: BERYLLIUM COPPER.
CONTACT PLATING: HARD GOLD OVER NICKEL.
2. INSULATOR MATERIAL: FR4
3. KAPTON TAPE FOR PICK AND PLACE.
4. REFER TO ET HiLo APPLICATION GUIDELINES FOR LAND PATTERN, STENCIL DESIGN AND KEEP OUT ZONE RECOMMENDATIONS.

UNLESS OTHERWISE SPECIFIED:
 DIMENSIONS ARE IN INCHES
 TOLERANCES:
 ANGLES: \pm
 FRACTIONS: $\pm 1/64$
 DECIMALS:
 .XX $\pm .010$
 .XXX $\pm .005$
 .XXXX $\pm .0005$

ALL DIMENSIONS ARE IN INCHES UNLESS OTHERWISE SPECIFIED

Emulation Technology, Inc.
 — VLSI and SMT ADAPTERS and ACCESSORIES —

2344 Walsh Avenue, Bldg.F Santa Clara, Ca 95051
 TEL:(408)982-0660 FAX:(408)982-0664

SHEET: 1 OF 1 DATE: 03/09/06 REVISION: A

CHECKED: Perry Munroe DRAWN: Huy Nguyen

Scale N/A DO NOT SCALE DRAWING

ITEM: HLS-220324-B-10
 DESCRIPTION: HLS-220324-B-10