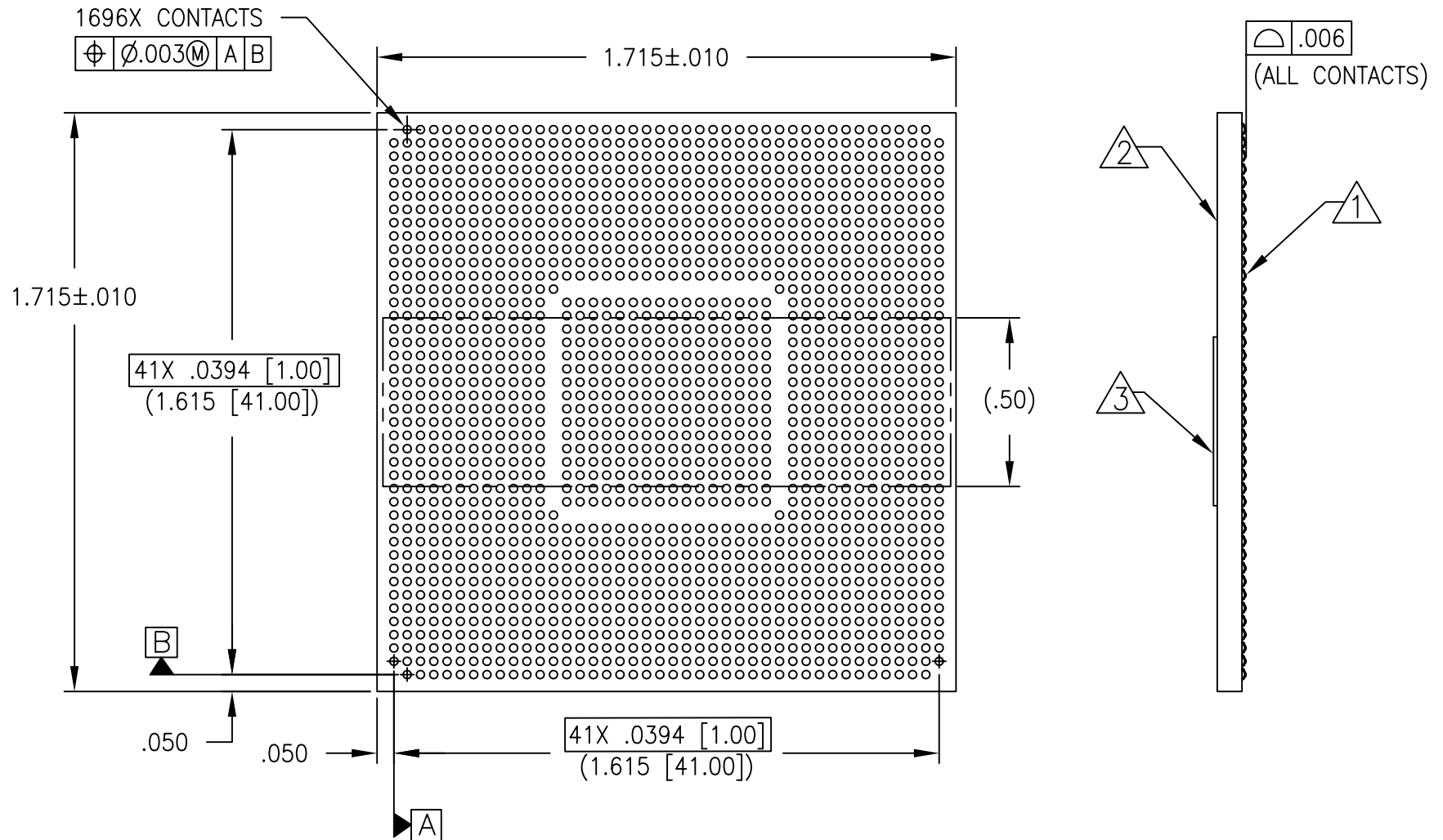


REV	DESCRIPTION	DATE	BY
A	NEW DRAWING	03/09/06	H.N.

F7744

TOP VIEW

RS VIEW



NOTES:

- 1. CONTACT MATERIAL: BERYLLIUM COPPER.
CONTACT PLATING: HARD GOLD OVER NICKEL.
- 2. INSULATOR MATERIAL: FR4
- 3. KAPTON TAPE FOR PICK AND PLACE.

4. REFER TO ET HiLo APPLICATION GUIDELINES FOR LAND PATTERN, STENCIL DESIGN AND KEEP OUT ZONE RECOMMENDATIONS.

ALL DIMENSIONS ARE IN INCHES UNLESS OTHERWISE SPECIFIED			
		Emulation Technology, Inc. — VLSI and SMT ADAPTERS and ACCESSORIES —	
		2344 Walsh Avenue, Bldg.F Santa Clara, Ca 95051 TEL:(408)982-0660 FAX:(408)982-0664	
SHEET: 1 OF 1	DATE: 03/09/06	REVISION: A	ASSEMBLY DRAWING
CHECKED: Perry Munroe	DRAWN: Huy Nguyen	ITEM: HLS-421696-B-10	DESCRIPTION: HLS-421696-B-10
Scale N/A		DO NOT SCALE DRAWING	

UNLESS OTHERWISE SPECIFIED:	
DIMENSIONS ARE IN INCHES	
TOLERANCES:	
ANGLES:	±
FRACTIONS:	±1/64
DECIMALS:	
.XX	±.010
.XXX	±.005
.XXXX	±.0005