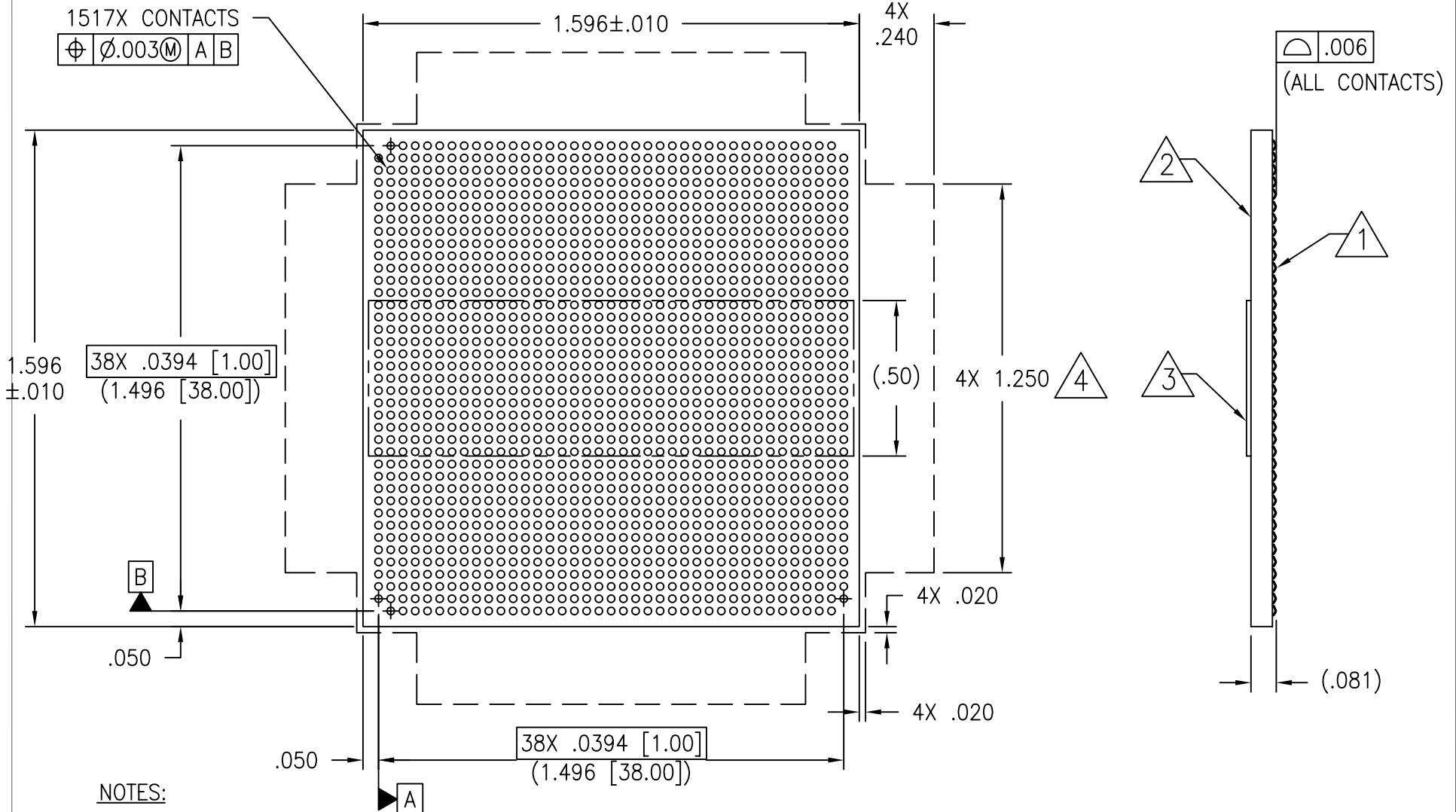


REV	DESCRIPTION	DATE	BY
A	NEW DRAWING	03/09/06	H.N.

F7742

TOP VIEW

SIDE VIEW



NOTES:

- ① CONTACT MATERIAL: BERYLLIUM COPPER.  
CONTACT PLATING: HARD GOLD OVER NICKEL.
- ② INSULATOR MATERIAL: FR4
- ③ KAPTON TAPE FOR PICK AND PLACE.
- ④ RECOMMENDED KEEP OUT ZONE OF .240" x 1.25" PER SIDE FOR EXTRACTION TOOL CLEARANCE.

UNLESS OTHERWISE SPECIFIED:  
 DIMENSIONS ARE IN INCHES  
 TOLERANCES:  
 ANGLES: ±  
 FRACTIONS: ±1/64  
 DECIMALS:  
 .XX ±.010  
 .XXX ±.005  
 .XXXX ±.0005

ALL DIMENSIONS ARE IN INCHES UNLESS OTHERWISE SPECIFIED

		<b>Emulation Technology, Inc.</b> — VLSI and SMT ADAPTERS and ACCESSORIES —	
		2344 Walsh Avenue, Bldg.F Santa Clara, Ca 95051 TEL:(408)982-0660 FAX:(408)982-0664	
SHEET: 1 OF 1	DATE: 03/09/06	REVISION: A	<b>ASSEMBLY DRAWING</b>
CHECKED: Perry Munroe	DRAWN: Huy Nguyen	ITEM: HLS-391517-B-10	DESCRIPTION: HLS-391517-B-10
Scale N/A	DO NOT SCALE DRAWING		