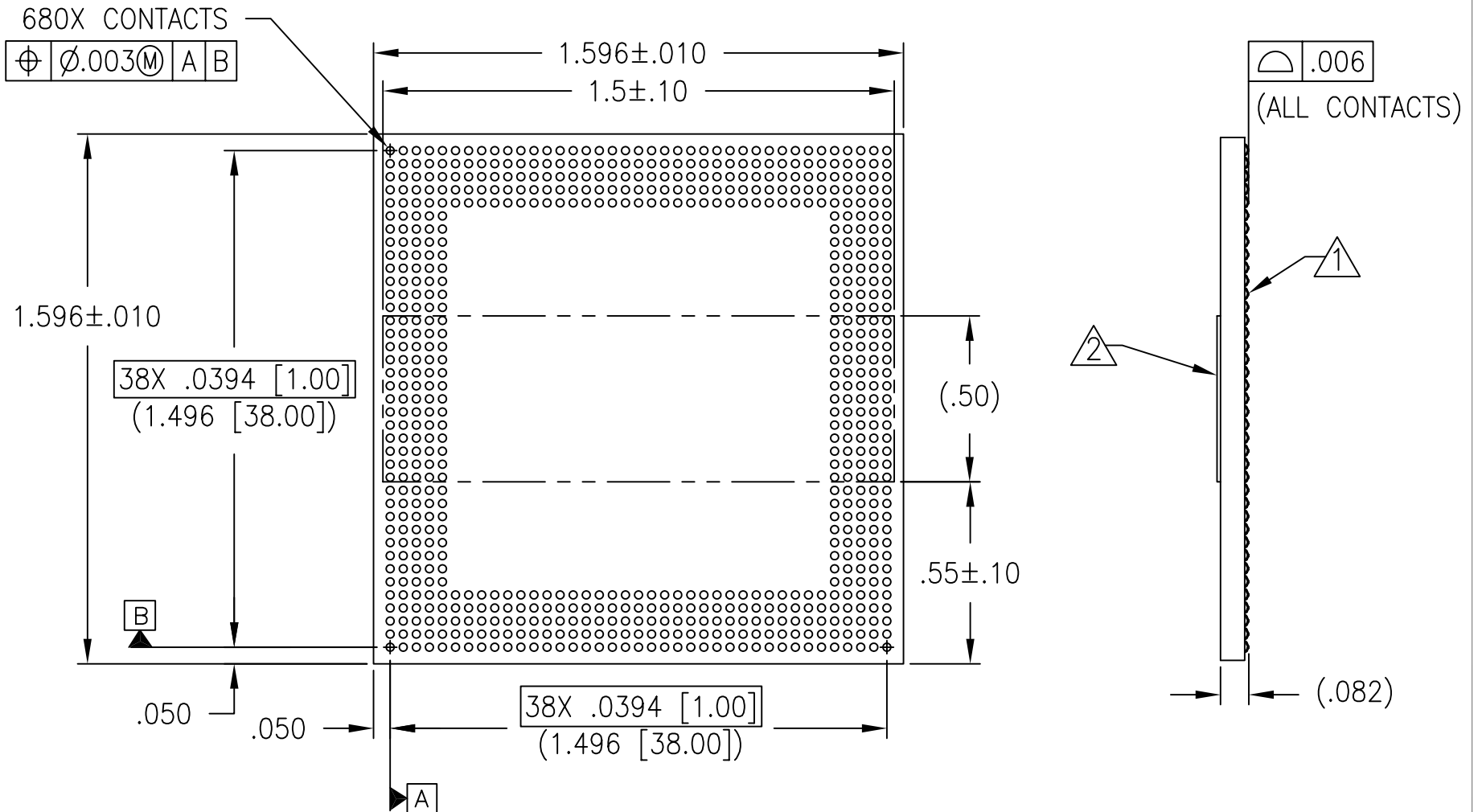


REV	DESCRIPTION	DATE	BY
A	NEW DRAWING	03/09/06	H.N.

F7739

TOP VIEW

RS VIEW



NOTES:

- 1. CONTACT MATERIAL: BERYLLIUM COPPER.  
CONTACT PLATING: HARD GOLD OVER NICKEL.
- 2. INSULATOR MATERIAL: FR4
- 3. KAPTON TAPE FOR PICK AND PLACE.
- 4. REFER TO ET HiLo APPLICATION GUIDELINES FOR LAND PATTERN, STENCIL DESIGN AND KEEP OUT ZONE RECOMMENDATIONS.

ALL DIMENSIONS ARE IN INCHES UNLESS OTHERWISE SPECIFIED

UNLESS OTHERWISE SPECIFIED:  
DIMENSIONS ARE IN INCHES  
TOLERANCES:  
ANGLES: ±  
FRACTIONS: ±1/64  
DECIMALS:  
.XX ±.010  
.XXX ±.005  
.XXXX ±.0005



**Emulation Technology, Inc.**  
— VLSI and SMT ADAPTERS and ACCESSORIES —

2344 Walsh Avenue, Bldg.F Santa Clara, Ca 95051  
TEL:(408)982-0660 FAX:(408)982-0664

SHEET: 1 OF 1	DATE: 03/09/06	REVISION: A	<b>ASSEMBLY DRAWING</b>
CHECKED: Perry Munroe	DRAWN: Huy Nguyen	ITEM: HLS-390680-B-10	
Scale N/A	DO NOT SCALE DRAWING	DESCRIPTION: HLS-390680-B-10	