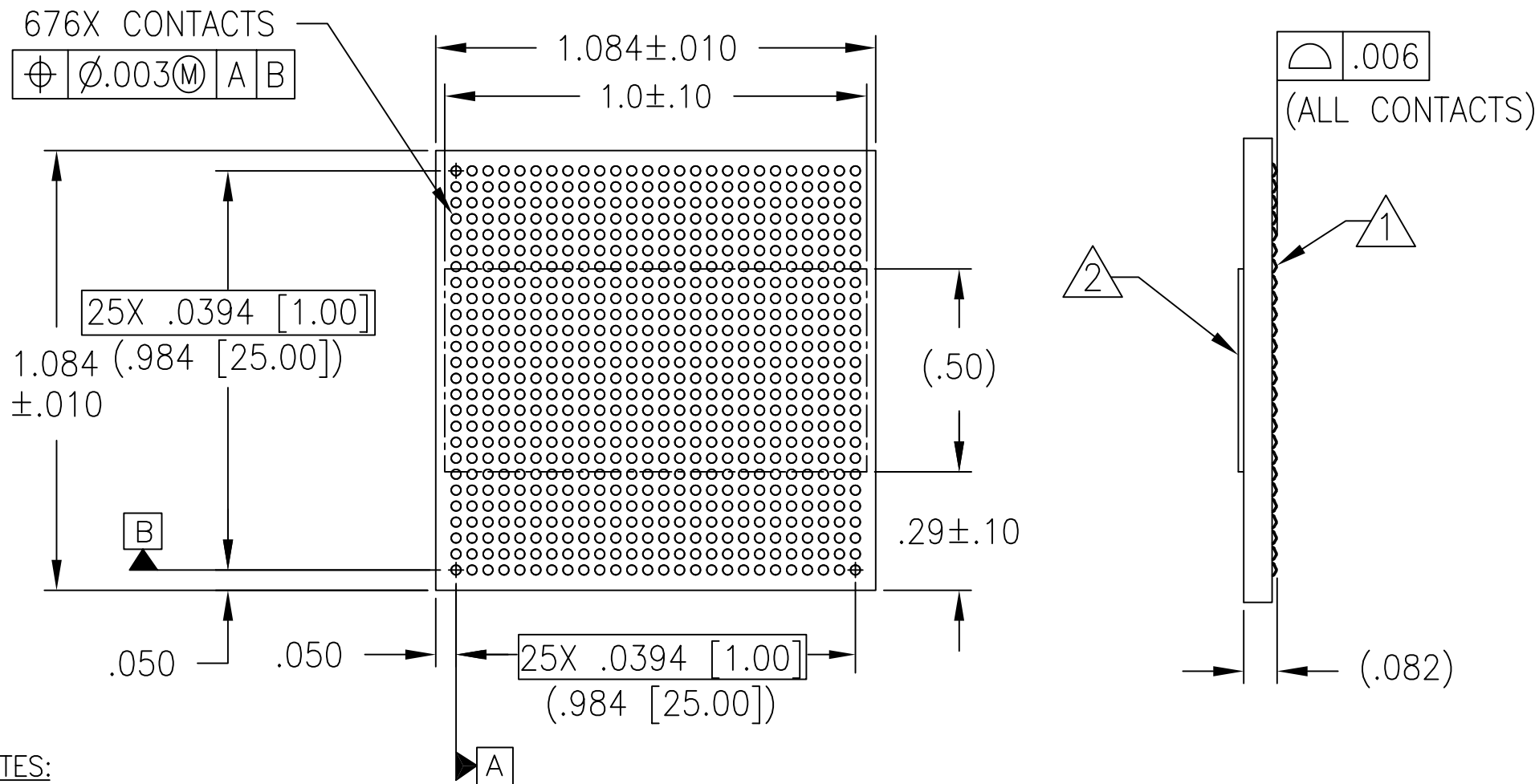


REV	DESCRIPTION	DATE	BY
A	NEW DRAWING	03/09/06	H.N.

F7734

TOP VIEW

RS VIEW



NOTES:

- 1. CONTACT MATERIAL: BERYLLIUM COPPER.
CONTACT PLATING: HARD GOLD OVER NICKEL.
- 2. INSULATOR MATERIAL: FR4
- 3. KAPTON TAPE FOR PICK AND PLACE.
- 4. REFER TO ET HiLo APPLICATION GUIDELINES FOR LAND PATTERN, STENCIL DESIGN AND KEEP OUT ZONE RECOMMENDATIONS.

ALL DIMENSIONS ARE IN INCHES UNLESS OTHERWISE SPECIFIED			
		Emulation Technology, Inc. — VLSI and SMT ADAPTERS and ACCESSORIES —	
		2344 Walsh Avenue, Bldg.F Santa Clara, Ca 95051 TEL:(408)982-0660 FAX:(408)982-0664	
SHEET: 1 OF 1	DATE: 03/09/06	REVISION: A	ASSEMBLY DRAWING
CHECKED: Perry Munroe	DRAWN: Huy Nguyen	ITEM: HLS-260676-B-10	
Scale N/A	DO NOT SCALE DRAWING	DESCRIPTION: HLS-260676-B-10	

UNLESS OTHERWISE SPECIFIED:
 DIMENSIONS ARE IN INCHES
 TOLERANCES:
 ANGLES: ±
 FRACTIONS: ±1/64
 DECIMALS:
 .XX ±.010
 .XXX ±.005
 .XXXX ±.0005