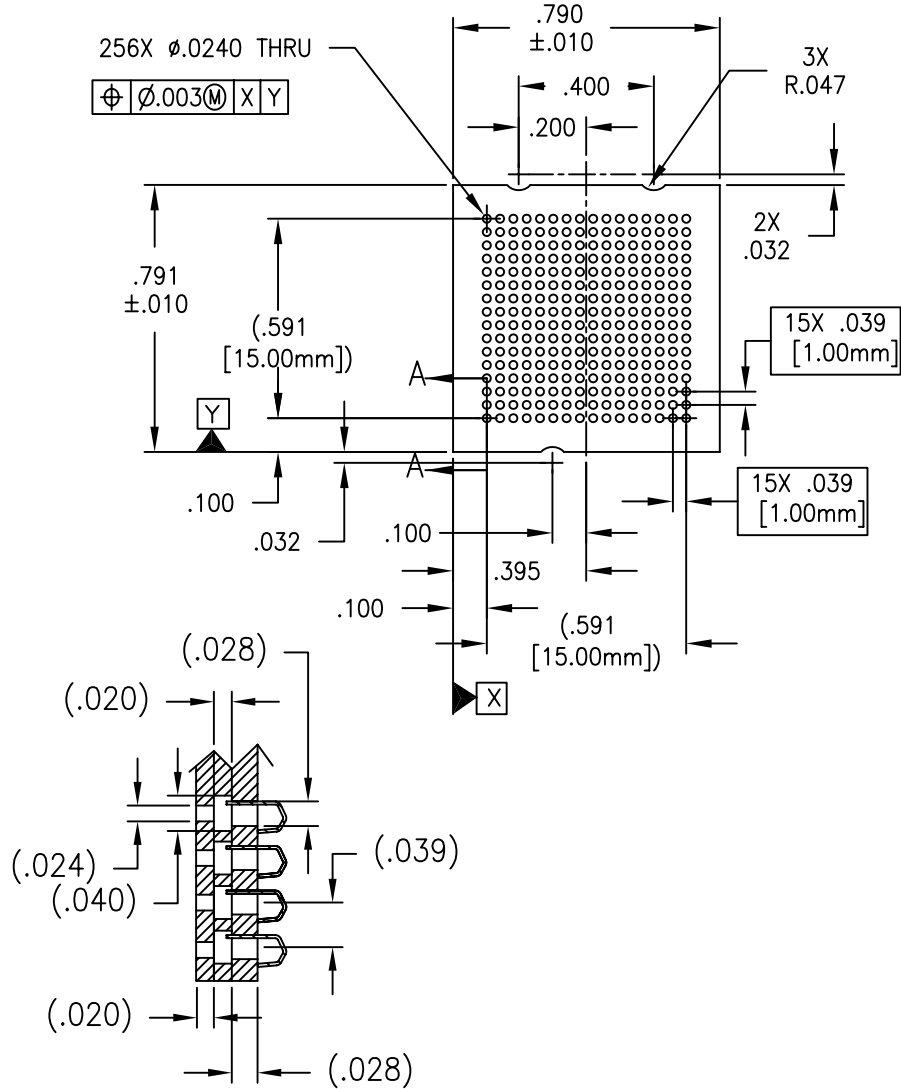


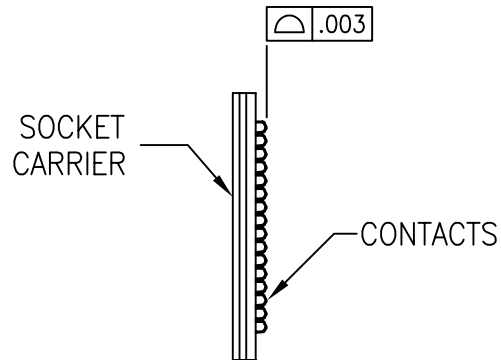
REV	DESCRIPTION	DATE	BY
A	NEW DRAWING	03/09/06	H.N.

F7727

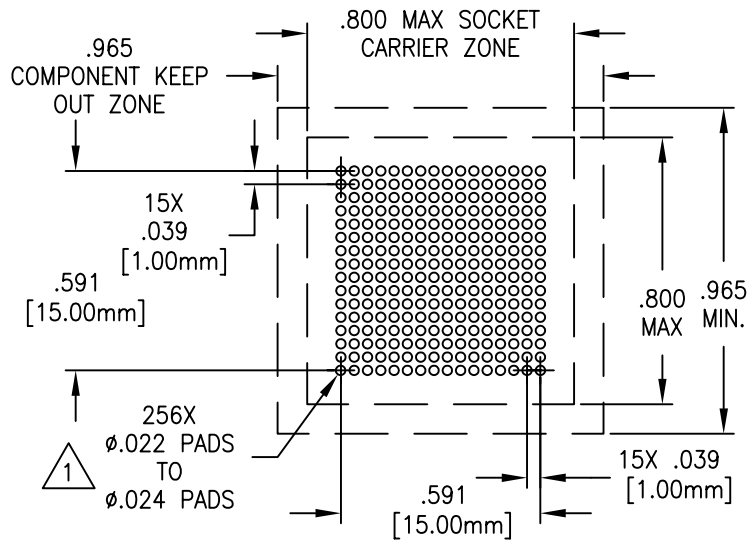
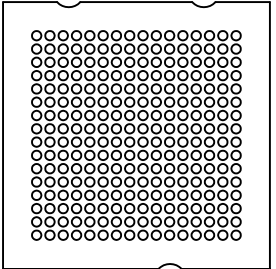
TOP VIEW



SIDE VIEW



BOTTOM VIEW



RECOMMENDED LAND PATTERN

SECTION A-A

1. EXPOSED COPPER TO BE PLATED WITH ELECTROLESS Ni AND OVERPLATED WITH IMMERSION Au.
 Ni: .000100 MINIMUM
 Au: .000005-.000008

ALL DIMENSIONS ARE IN INCHES UNLESS OTHERWISE SPECIFIED

UNLESS OTHERWISE SPECIFIED: DIMENSIONS ARE IN INCHES TOLERANCES: ANGLES: ± FRACTIONS: ±1/64 DECIMALS: .XX ±.010 .XXX ±.005 .XXXX ±.0005			Emulation Technology, Inc. VLSI and SMT ADAPTERS and ACCESSORIES		
	2344 Walsh Avenue, Bldg.F Santa Clara, Ca 95051		TEL:(408)982-0660 FAX:(408)982-0664		
	SHEET: 1 OF 1 CHECKED: Perry Munroe	DATE: 03/09/06 DRAWN: Huy Nguyen	REVISION: A	ASSEMBLY DRAWING	
	Scale N/A DO NOT SCALE DRAWING		ITEM: HLS-160256-B-00 DESCRIPTION: HLS-160256-B-00		