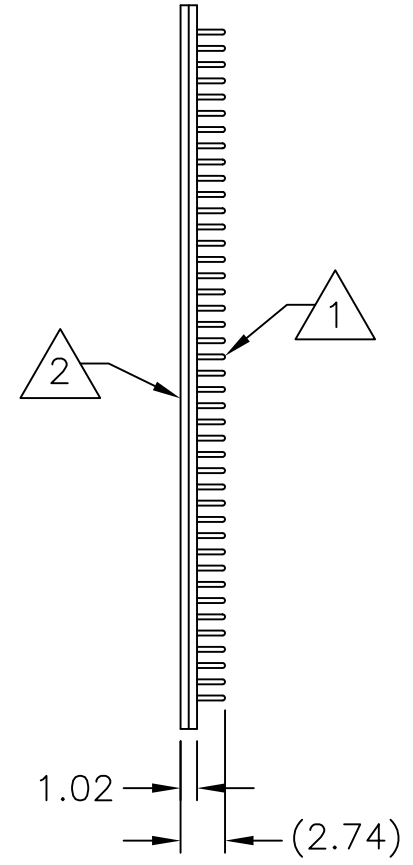
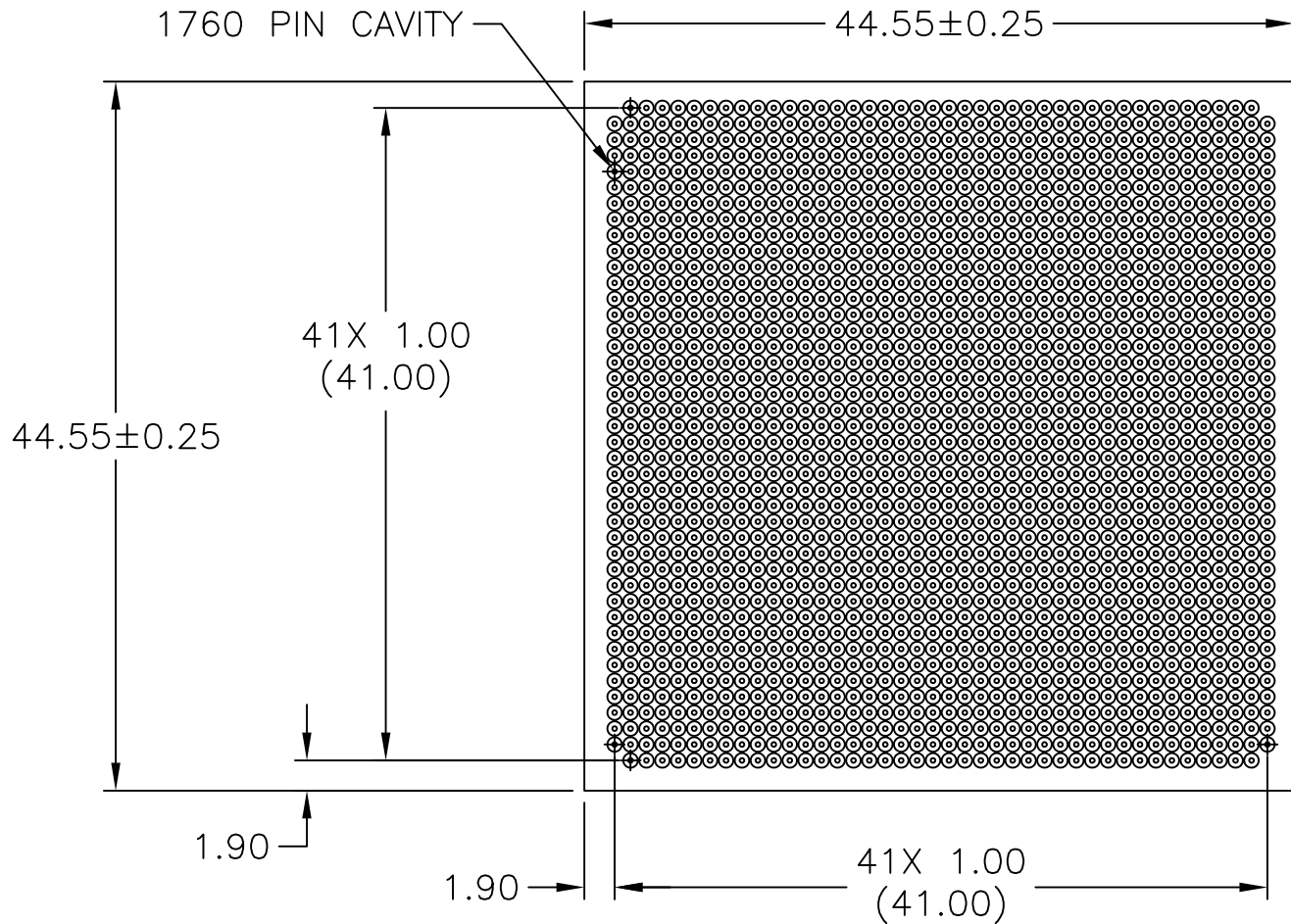


REV	DESCRIPTION	DATE	BY
A	NEW DRAWING	03/09/06	H.N.

F7724



TOP VIEW

RS VIEW

NOTES:

- 1. PINS  $\phi$ .30 [.012] X 2.74 [.108] LONG.  
MATERIAL: PHOSPHOR BRONZE.  
PLATING: HARD GOLD OVER NICKEL.
- 2. INSULATOR MATERIAL: FR4, BLACK,  $T_g$ 125°C.

METRIC

CUSTOMER APPLICATION DRAWING

ALL DIMENSIONS ARE IN MILLIMETERS UNLESS OTHERWISE SPECIFIED

**Emulation Technology, Inc.**  
— VLSI and SMT ADAPTERS and ACCESSORIES —

2344 Walsh Avenue, Bldg.F Santa Clara, Ca 95051  
TEL:(408)982-0660 FAX:(408)982-0664

SHEET: 1 OF 1	DATE: 03/09/06	REVISION: A	<b>ASSEMBLY DRAWING</b>
CHECKED: Perry Munroe	DRAWN: Huy Nguyen	ITEM: HLP-421760-B-10	
Scale N/A		DO NOT SCALE DRAWING	DESCRIPTION: HLP-421760-B-10

UNLESS OTHERWISE SPECIFIED:  
DIMENSIONS ARE IN MILLIMETERS  
[ALTERNATE] DIMENSIONS ARE IN INCHES  
TOLERANCES:  
ANGLES:  $\pm$  10'  
FRACTIONS:  $\pm$  1/64  
DECIMALS:  
.X  $\pm$ .25  
.XX  $\pm$ .13  
.XXX  $\pm$ .013