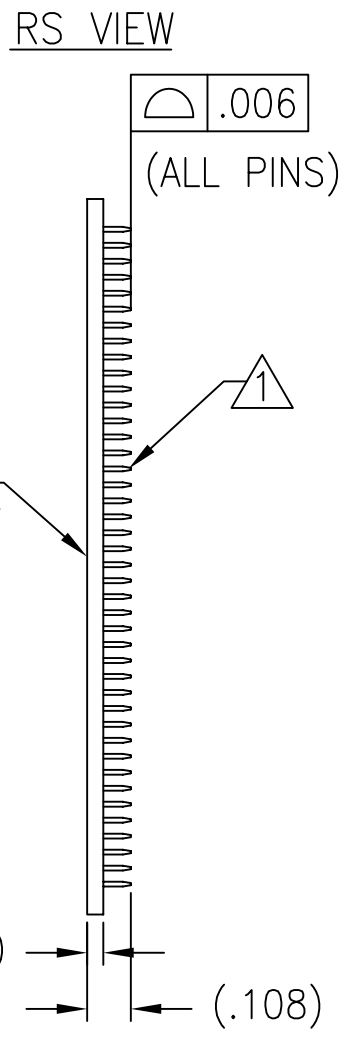
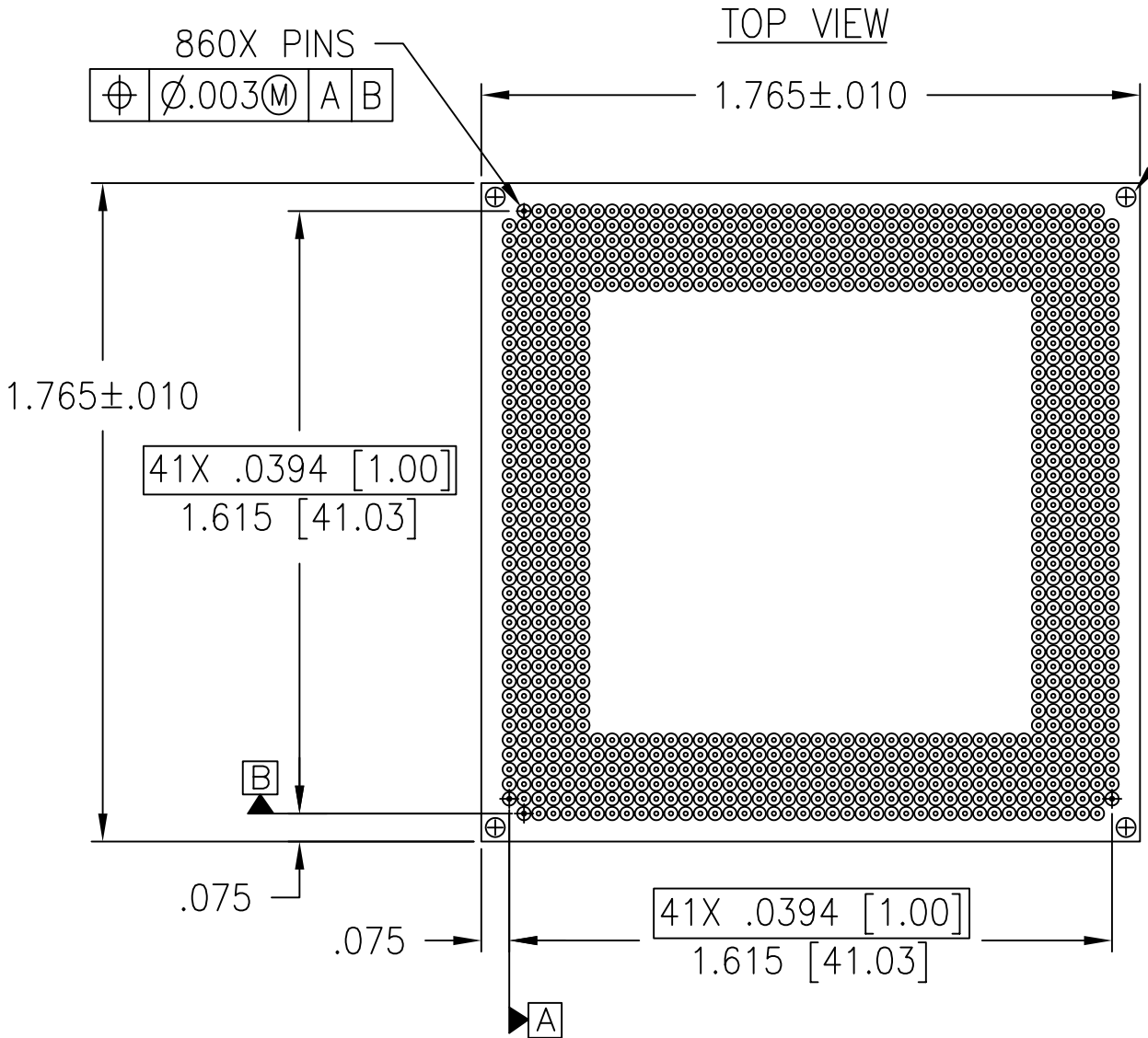


REV	DESCRIPTION	DATE	BY
A	NEW DRAWING	03/09/06	H.N.

F7721



NOTES:

1. PINS ϕ .0117
MATERIAL: PHOSPHOR BRONZE.
PLATING: HARD GOLD OVER NICKEL.

2. INSULATOR MATERIAL: FR4.

ALL DIMENSIONS ARE IN INCHES UNLESS OTHERWISE SPECIFIED			
		Emulation Technology, Inc. — VLSI and SMT ADAPTERS and ACCESSORIES —	
		2344 Walsh Avenue, Bldg.F Santa Clara, Ca 95051	
TEL:(408)982-0660 FAX:(408)982-0664			
SHEET: 1 OF 1	DATE: 03/09/06	REVISION: A	ASSEMBLY DRAWING
CHECKED: Perry Munroe	DRAWN: Huy Nguyen	ITEM: HLP-420860-B-10	
Scale N/A DO NOT SCALE DRAWING		DESCRIPTION: HLP-420860-B-10	

UNLESS OTHERWISE SPECIFIED:
 DIMENSIONS ARE IN INCHES
 TOLERANCES:
 ANGLES: \pm
 FRACTIONS: $\pm 1/64$
 DECIMALS:
 .XX \pm .010
 .XXX \pm .005
 .XXXX \pm .0005