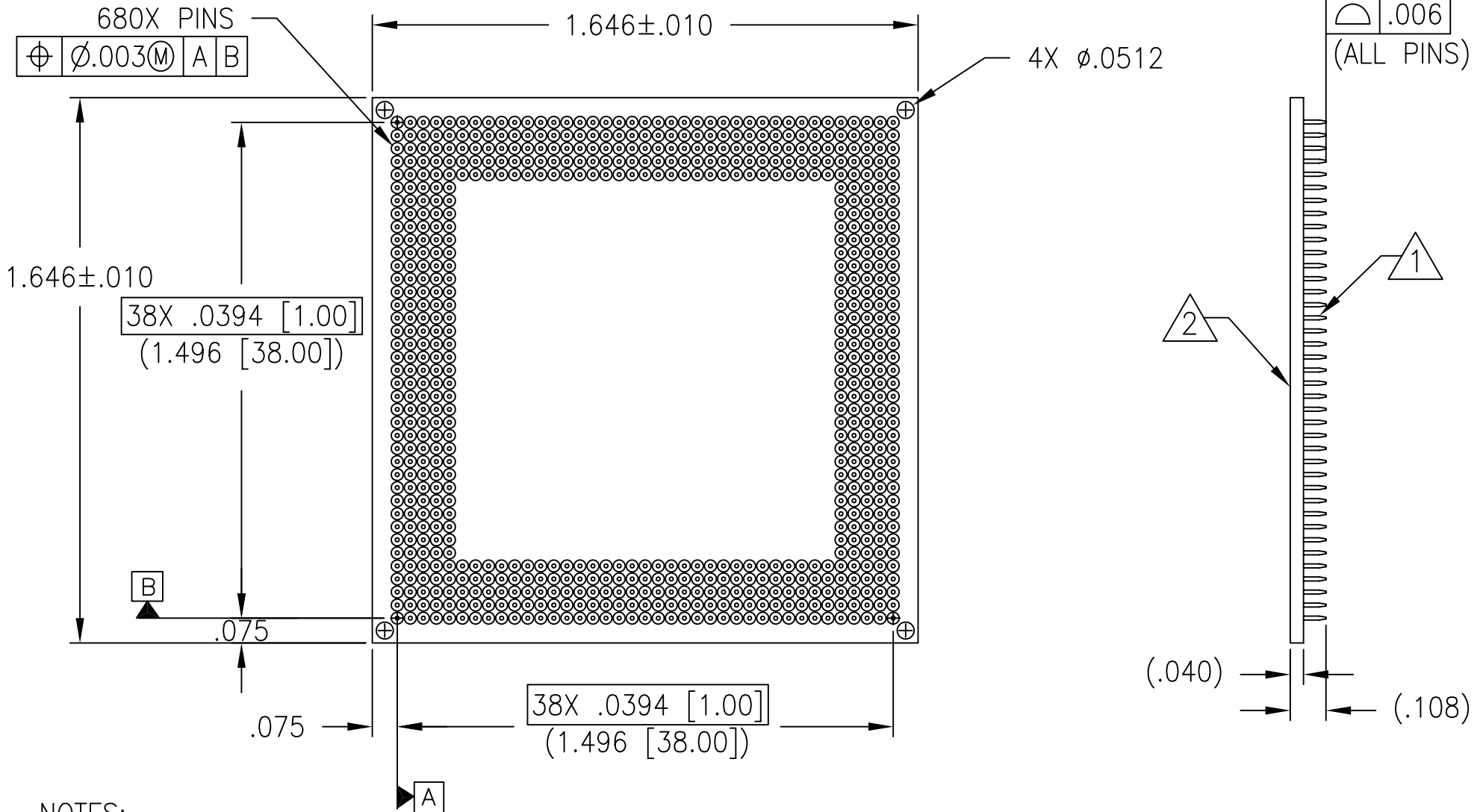


REV	DESCRIPTION	DATE	BY
A	NEW DRAWING	03/09/06	H.N.

F7717

TOP VIEW

RS VIEW



NOTES:



1. PINS $\phi .0117$
 MATERIAL: PHOSPHOR BRONZE.
 PLATING: HARD GOLD OVER NICKEL.



2. INSULATOR MATERIAL: FR4.

ALL DIMENSIONS ARE IN INCHES UNLESS OTHERWISE SPECIFIED			
UNLESS OTHERWISE SPECIFIED: DIMENSIONS ARE IN INCHES TOLERANCES: ANGLES: \pm FRACTIONS: $\pm 1/64$ DECIMALS: .XX $\pm .010$.XXX $\pm .005$.XXXX $\pm .0005$		Emulation Technology, Inc. — VLSI and SMT ADAPTERS and ACCESSORIES —	
		2344 Walsh Avenue, Bldg.F Santa Clara, Ca 95051 TEL:(408)982-0660 FAX:(408)982-0664	
SHEET: 1 OF 1	DATE: 03/09/06	REVISION: A	ASSEMBLY DRAWING
CHECKED: Perry Munroe	DRAWN: Huy Nguyen	ITEM: HLP-390680-B-10	DESCRIPTION: HLP-390680-B-10
Scale N/A	DO NOT SCALE DRAWING		