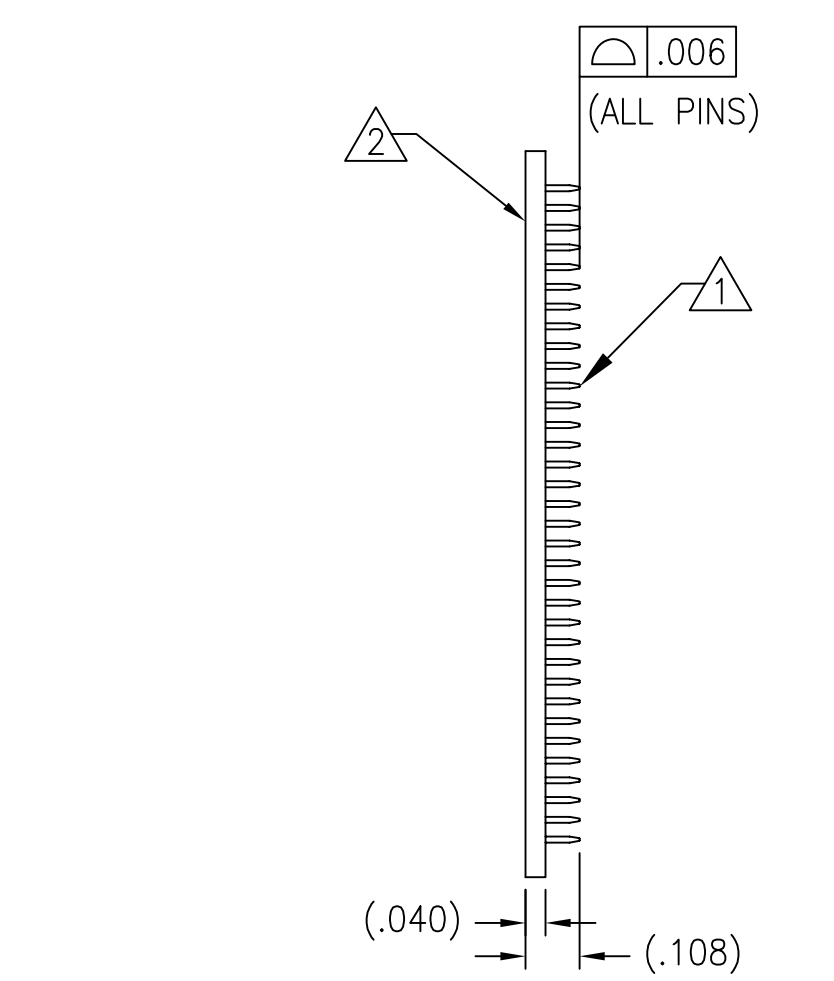
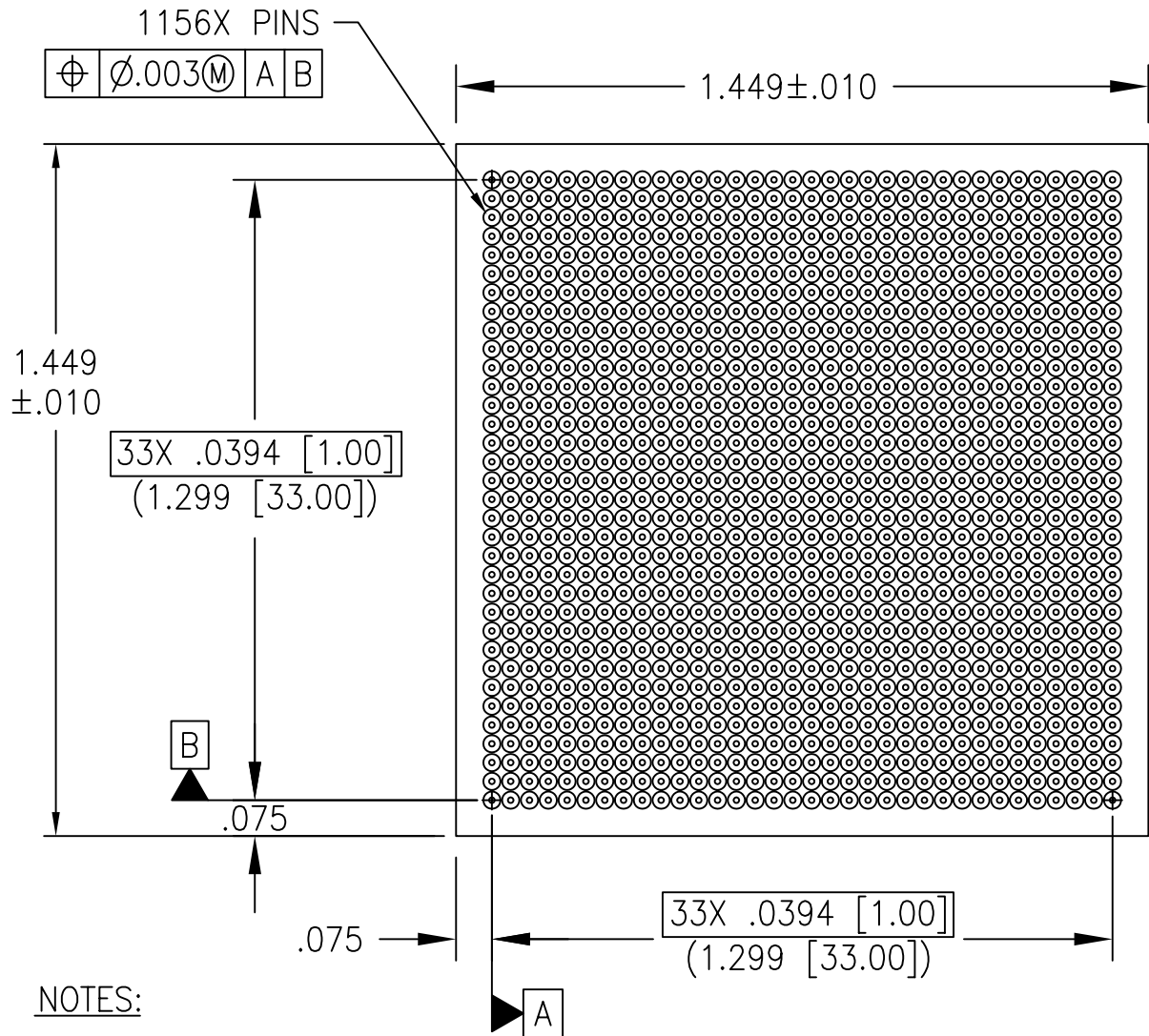


REV	DESCRIPTION	DATE	BY
A	NEW DRAWING	03/09/06	H.N.

F7716

TOP VIEW

RS VIEW




NOTES:

- 1. PINS ϕ .0117 x .108 LONG.
MATERIAL: PHOSPHOR BRONZE.
PLATING: HARD GOLD OVER NICKEL.
- 2. INSULATOR MATERIAL: FR4, TG 125°C.

UNLESS OTHERWISE SPECIFIED:
DIMENSIONS ARE IN INCHES
TOLERANCES:
ANGLES: \pm
FRACTIONS: $\pm 1/64$
DECIMALS:
.XX \pm .010
.XXX \pm .005
.XXXX \pm .0005

ALL DIMENSIONS ARE IN INCHES UNLESS OTHERWISE SPECIFIED



Emulation Technology, Inc.
— VLSI and SMT ADAPTERS and ACCESSORIES —
2344 Walsh Avenue, Bldg.F Santa Clara, Ca 95051
TEL:(408)982-0660 FAX:(408)982-0664

SHEET: 1 OF 1	DATE: 03/09/06	REVISION: A	ASSEMBLY DRAWING
CHECKED: Perry Munroe	DRAWN: Huy Nguyen	ITEM: HLP-341156-B-10	
Scale N/A	DO NOT SCALE DRAWING	DESCRIPTION: HLP-341156-B-10	