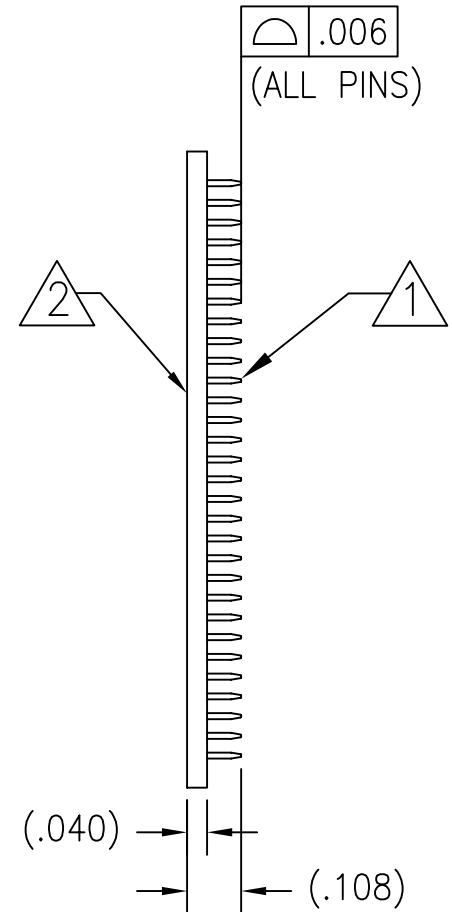
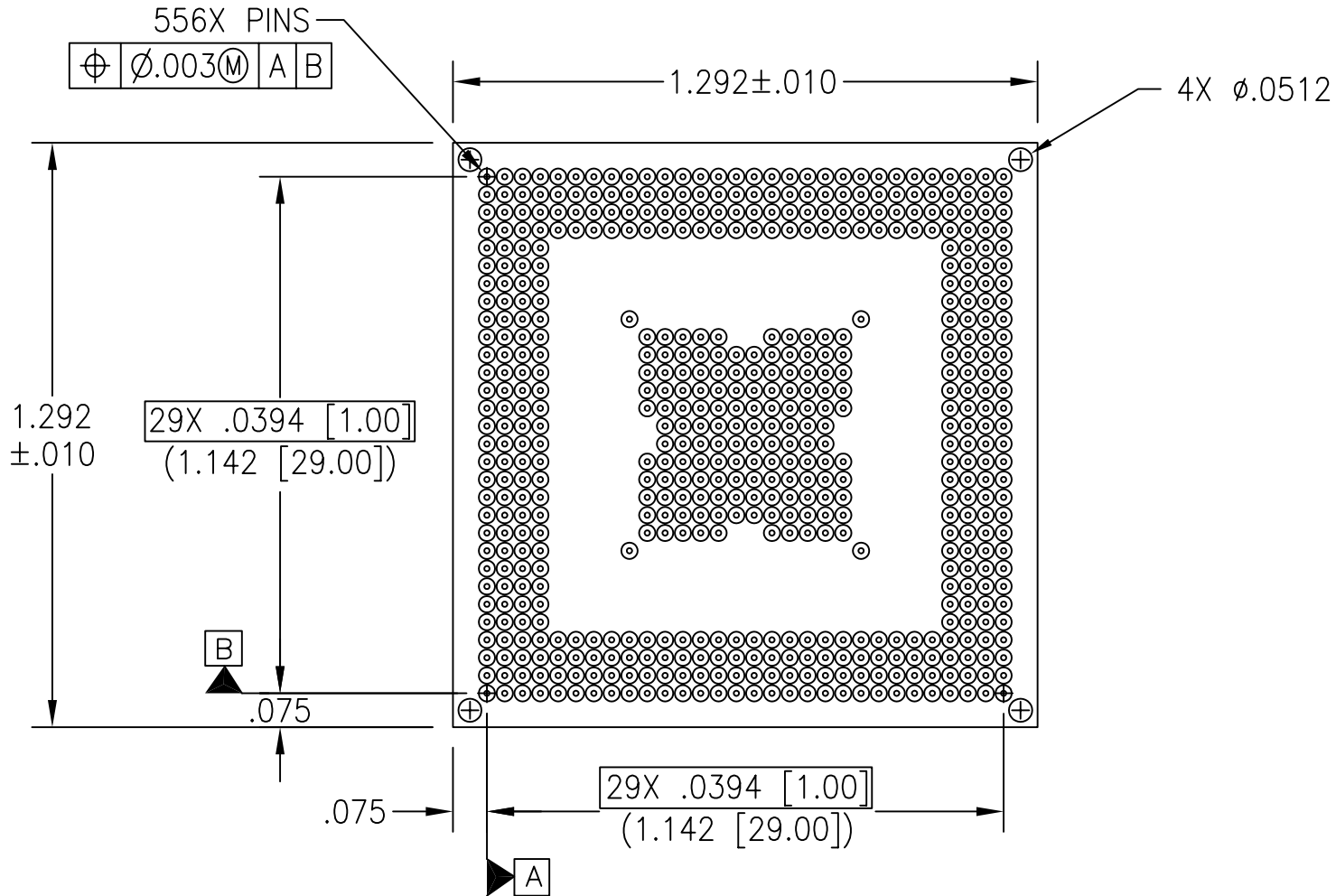


REV	DESCRIPTION	DATE	BY
A	NEW DRAWING	03/10/06	H.N.

F7713

TOP VIEW

RS VIEW



NOTES:

1. PINS ϕ .0117
 MATERIAL: PHOSPHOR BRONZE.
 PLATING: HARD GOLD OVER NICKEL.

2. INSULATOR MATERIAL: FR4.

UNLESS OTHERWISE SPECIFIED:
 DIMENSIONS ARE IN INCHES
 TOLERANCES:
 ANGLES: \pm
 FRACTIONS: $\pm 1/64$
 DECIMALS:
 .XX $\pm .010$
 .XXX $\pm .005$
 .XXXX $\pm .0005$

ALL DIMENSIONS ARE IN INCHES UNLESS OTHERWISE SPECIFIED			
		Emulation Technology, Inc. — VLSI and SMT ADAPTERS and ACCESSORIES —	
		2344 Walsh Avenue, Bldg.F Santa Clara, Ca 95051 TEL:(408)982-0660 FAX:(408)982-0664	
SHEET: 1 OF 1	DATE: 03/10/06	REVISION: A	ASSEMBLY DRAWING
CHECKED: Perry Munroe	DRAWN: Huy Nguyen	ITEM: HLP-300556-B-10	
Scale N/A	DO NOT SCALE DRAWING	DESCRIPTION: HLP-300556-B-10	