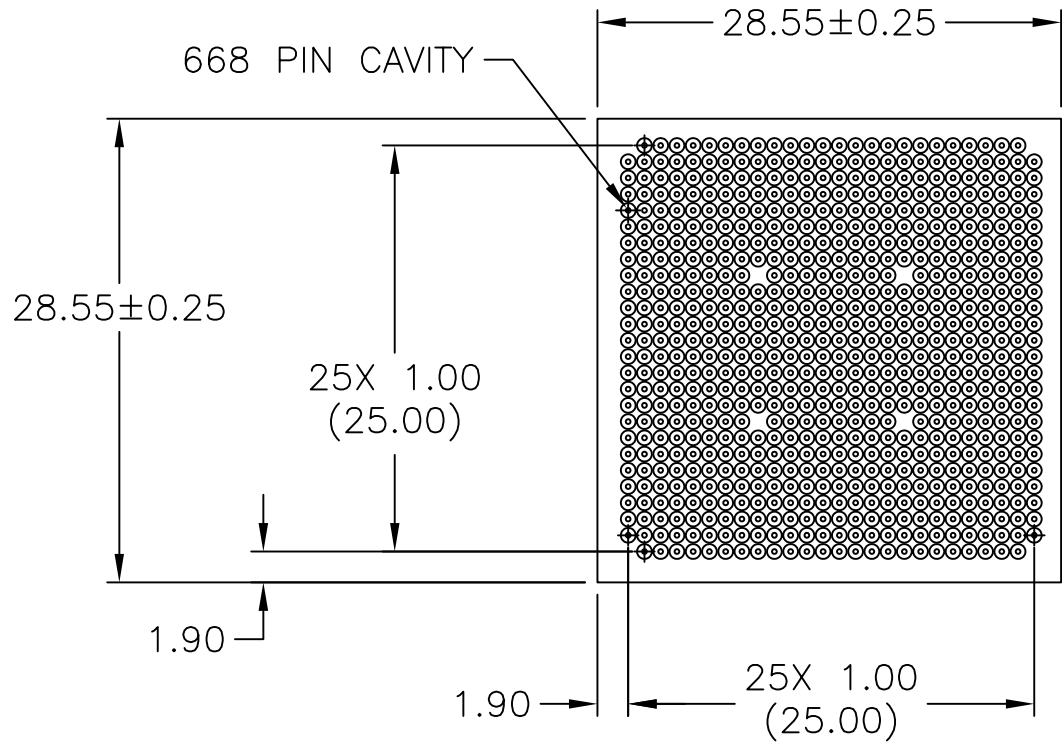
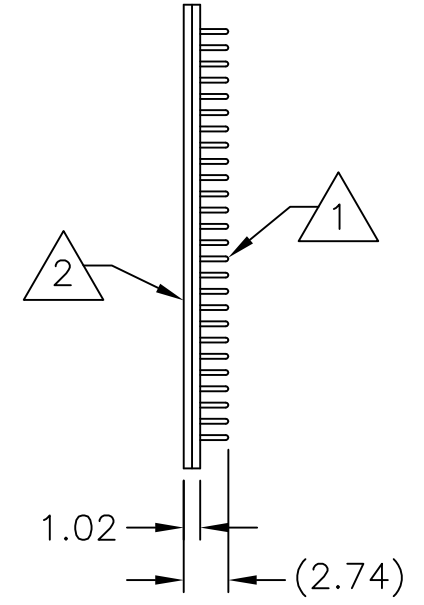


REV	DESCRIPTION	DATE	BY
A	NEW DRAWING	03/10/06	H.N.

F7710



TOP VIEW



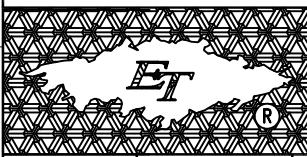
RS VIEW

METRIC CUSTOMER APPLICATION DRAWING

NOTES:

- 1. PINS ϕ .30 [.012] X 2.74 [.108] LONG. MATERIAL: PHOSPHOR BRONZE. PLATING: HARD GOLD OVER NICKEL.
- 2. INSULATOR MATERIAL: FR4, BLACK, T_g 125°C.

UNLESS OTHERWISE SPECIFIED:
 DIMENSIONS ARE IN MILLIMETERS
 [ALTERNATE] DIMENSIONS ARE IN INCHES
 TOLERANCES:
 ANGLES: \pm 10'
 FRACTIONS: \pm 1/64
 DECIMALS:
 .X \pm .25
 .XX \pm .13
 .XXX \pm .013

ALL DIMENSIONS ARE IN MILLIMETERS UNLESS OTHERWISE SPECIFIED			
		Emulation Technology, Inc. — VLSI and SMT ADAPTERS and ACCESSORIES —	
		2344 Walsh Avenue, Bldg.F Santa Clara, Ca 95051	TEL:(408)982-0660 FAX:(408)982-0664
SHEET: 1 OF 1	DATE: 03/10/06	REVISION: A	ASSEMBLY DRAWING
CHECKED: Perry Munroe	DRAWN: Huy Nguyen	ITEM: HLP-260668-B-10	
Scale N/A	DO NOT SCALE DRAWING	DESCRIPTION: HLP-260668-B-10	