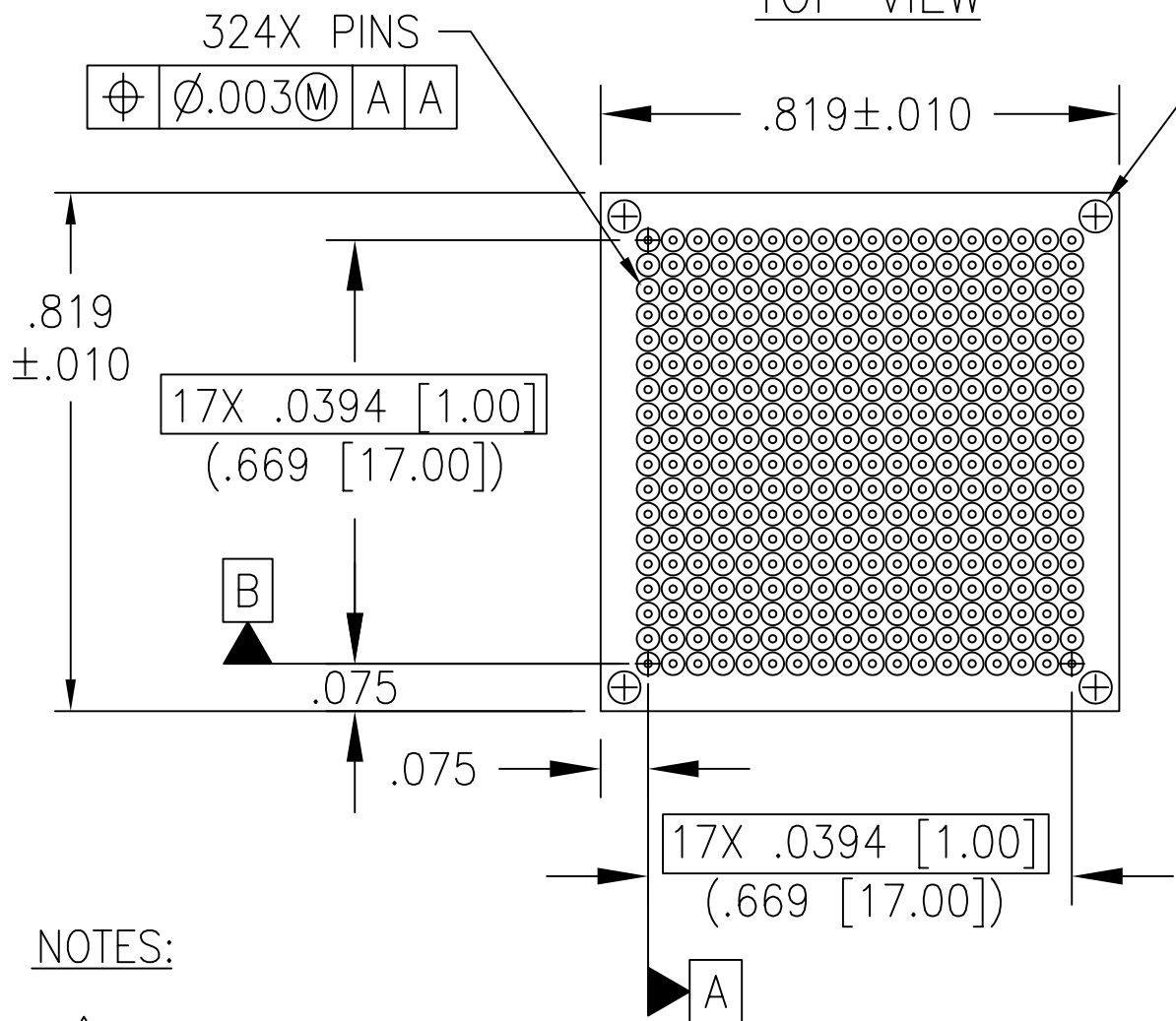


REV	DESCRIPTION	DATE	BY
A	NEW DRAWING	03/10/06	H.N.

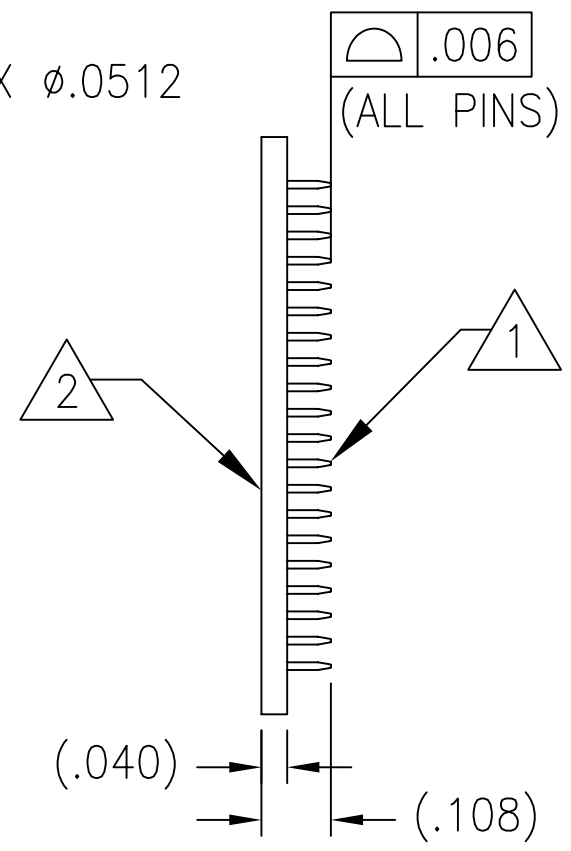
F7705

RS VIEW

TOP VIEW



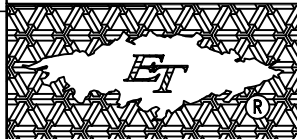
4X Ø.0512



NOTES:

- 1. PINS Ø.0117  
MATERIAL: PHOSPHOR BRONZE.  
PLATING: HARD GOLD OVER NICKEL.
- 2. INSULATOR MATERIAL: FR4.

ALL DIMENSIONS ARE IN INCHES UNLESS OTHERWISE SPECIFIED



**Emulation Technology, Inc.**  
— VLSI and SMT ADAPTERS and ACCESSORIES —

2344 Walsh Avenue, Bldg.F Santa Clara, Ca 95051  
TEL:(408)982-0660 FAX:(408)982-0664

UNLESS OTHERWISE SPECIFIED:  
DIMENSIONS ARE IN INCHES  
TOLERANCES:  
ANGLES: ±  
FRACTIONS: ±1/64  
DECIMALS:  
.XX ±.010  
.XXX ±.005  
.XXXX ±.0005

SHEET: 1 OF 1	DATE: 03/10/06	REVISION: A	<b>ASSEMBLY DRAWING</b>
CHECKED: Perry Munroe	DRAWN: Huy Nguyen	ITEM: HLP-180324-B-10	
Scale N/A	DO NOT SCALE DRAWING	DESCRIPTION: HLP-180324-B-10	