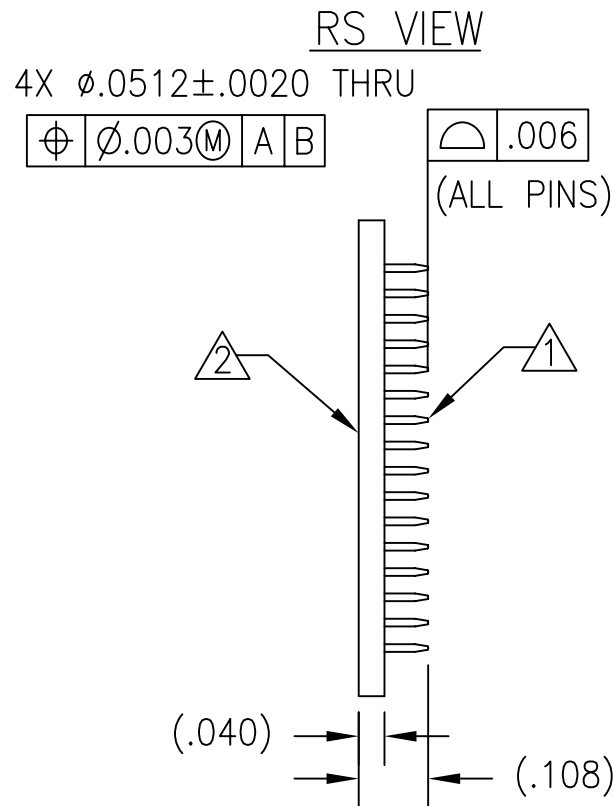
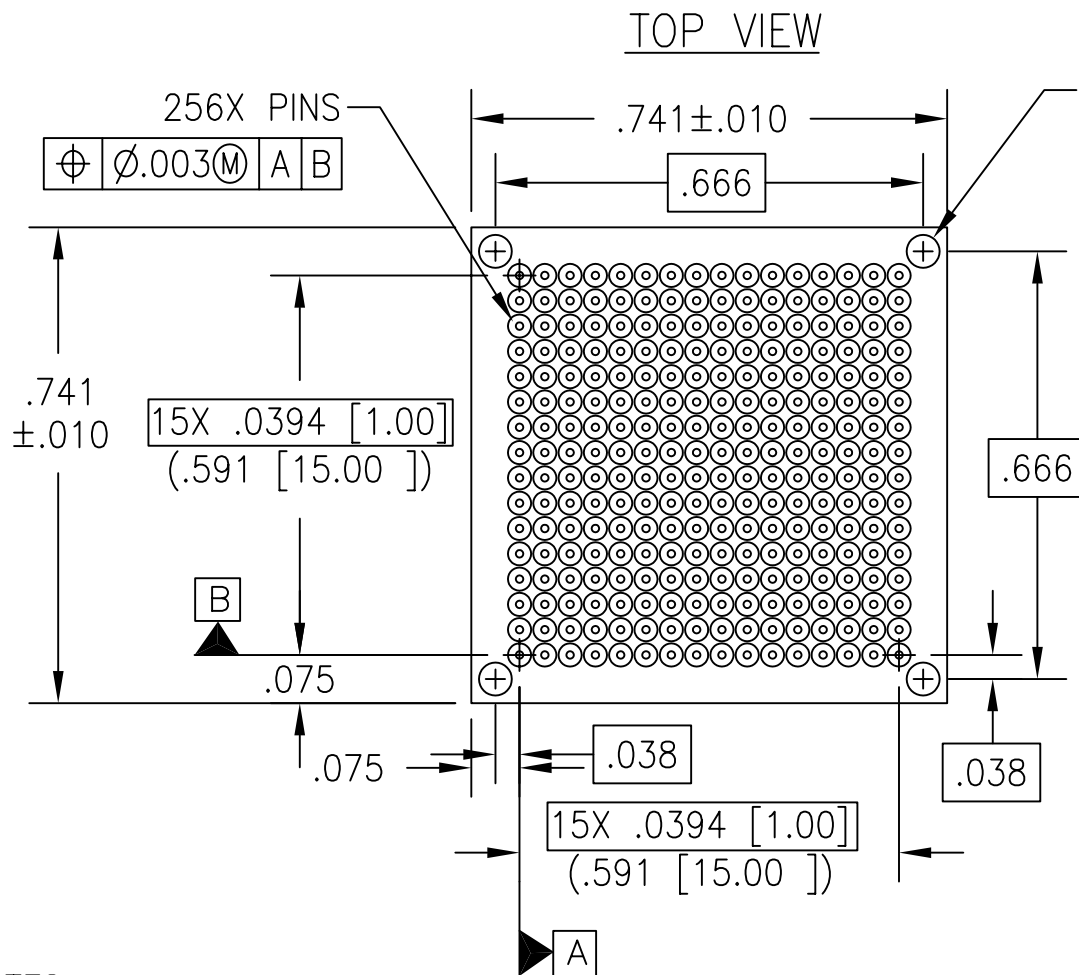


REV	DESCRIPTION	DATE	BY
A	NEW DRAWING	03/10/06	H.N.

F7704



NOTES:

- 1. PINS ϕ .0117 x .108 LONG.
MATERIAL: PHOSPHOR BRONZE.
PLATING: HARD GOLD OVER NICKEL.
- 2. INSULATOR MATERIAL: FR4, T_g 125°C.

ALL DIMENSIONS ARE IN INCHES UNLESS OTHERWISE SPECIFIED

UNLESS OTHERWISE SPECIFIED:
DIMENSIONS ARE IN INCHES
TOLERANCES:
ANGLES: \pm
FRACTIONS: $\pm 1/64$
DECIMALS:
.XX \pm .010
.XXX \pm .005
.XXXX \pm .0005

Emulation Technology, Inc.
— VLSI and SMT ADAPTERS and ACCESSORIES —
2344 Walsh Avenue, Bldg.F Santa Clara, Ca 95051
TEL:(408)982-0660 FAX:(408)982-0664

ASSEMBLY DRAWING

SHEET: 1 OF 1 DATE: 03/10/06 REVISION: A
CHECKED: Perry Munroe DRAWN: Huy Nguyen ITEM: HLP-160256-B-10
Scale N/A DO NOT SCALE DRAWING DESCRIPTION: HLP-160256-B-10