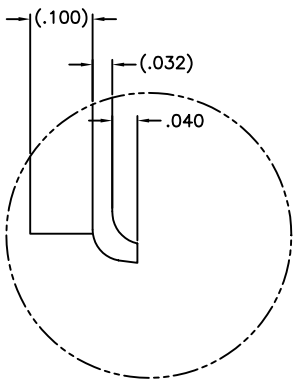
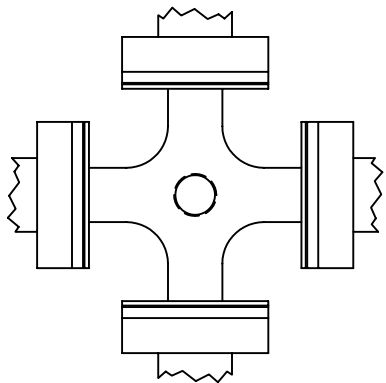
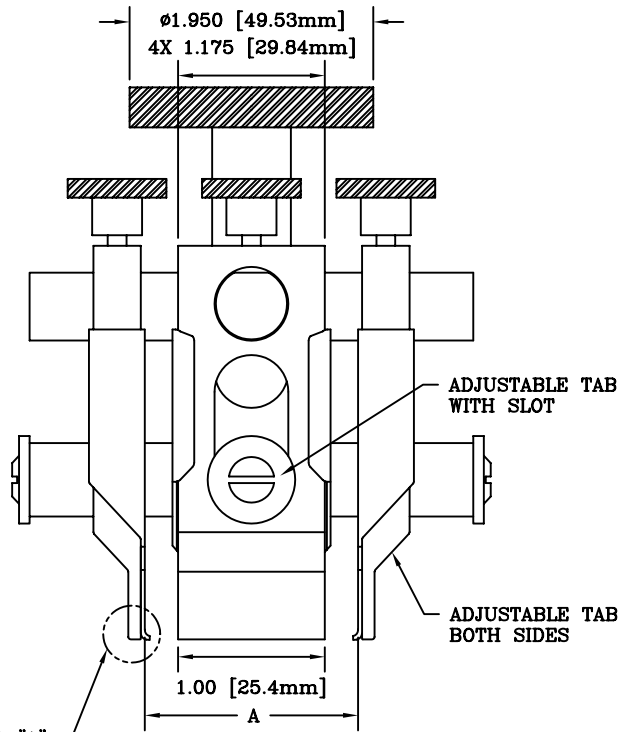
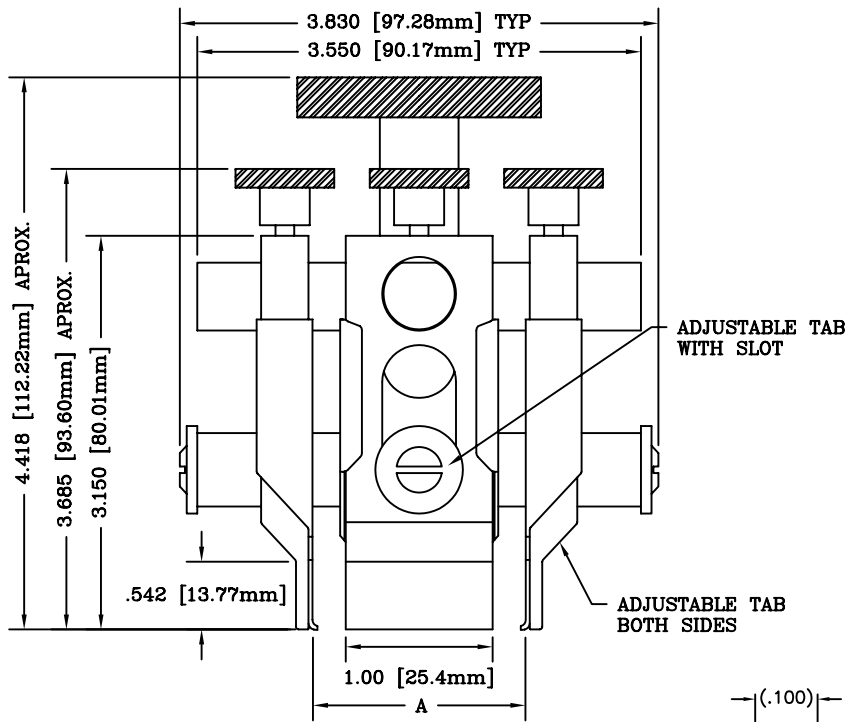


REV	DESCRIPTION	DATE	BY
A	NEW DRAWING	03/08/06	H.N.
B	ADDED DETAIL A	01/18/07	H.N.



DETAIL "A"

DETAIL "A"

NOTE: HI-LO REMOVAL TOOL (FOR 7001/0 PLUS)

ALL DIMENSIONS ARE IN INCHES UNLESS OTHERWISE SPECIFIED

Emulation Technology, Inc.
 VLSI and SMT ADAPTERS and ACCESSORIES
 2344 Walsh Avenue, Bldg.F Santa Clara, Ca 95051
 TEL:(408)982-0660 FAX:(408)982-0664

SHEET: 1 OF 1	DATE: 03/08/06	REVISION: B	ASSEMBLY DRAWING
CHECKED: Perry Munroe	DRAWN: Huy Nguyen	ITEM: E00004-2	
Scale 1:1	DO NOT SCALE DRAWING	DESCRIPTION: E00004-2	

SYM	MIN.	MAX.
A	1.680 [42.67mm]	3.100 [78.74mm]