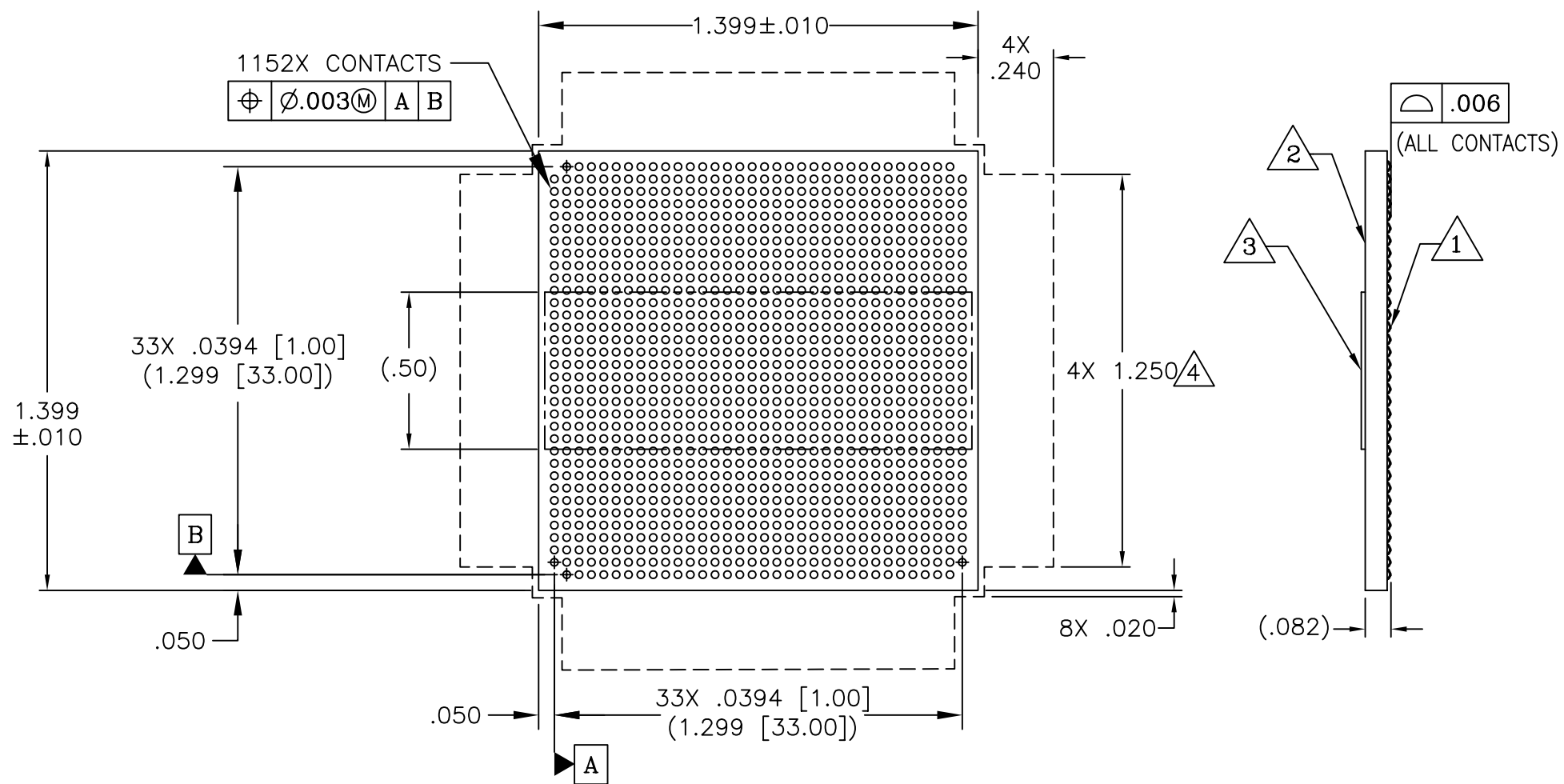


REV	DESCRIPTION	DATE	BY
A	NEW DRAWING	12/08/05	H.N.

F7648

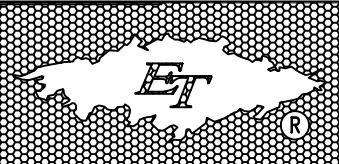


NOTES:

- ① CONTACT MATERIAL: BERYLLIUM COPPER.
CONTACT PLATING: HARD GOLD OVER NICKEL.
- ② INSULATOR MATERIAL: FR4
- ③ KAPTON TAPE FOR PICK AND PLACE.
- ④ RECOMMENDED KEEP OUT ZONE OF .240" x 1.25" PER SIDE FOR EXTRACTION TOOL CLEARANCE.

UNLESS OTHERWISE SPECIFIED:
 DIMENSIONS ARE IN INCHES
 TOLERANCES:
 ANGLES: ±
 FRACTIONS: ±1/64
 DECIMALS:
 .XX ±.010
 .XXX ±.005
 .XXXX ±.0005

ALL DIMENSIONS ARE IN INCHES UNLESS OTHERWISE SPECIFIED



Emulation Technology, Inc.
 — VLSI and SMT ADAPTERS and ACCESSORIES —
 2344 Walsh Avenue, Bldg.F Santa Clara, Ca 95051
 TEL:(408)982-0660 FAX:(408)982-0664

SHEET: 1 OF 1	DATE: 12/08/05	REVISION: A	ASSEMBLY DRAWING
CHECKED: Perry Munroe		DRAWN: Huy Nguyen	
Scale 2:1		DO NOT SCALE DRAWING	
ITEM: HLS-341152-B-10			DESCRIPTION: HLS-341152-B-10