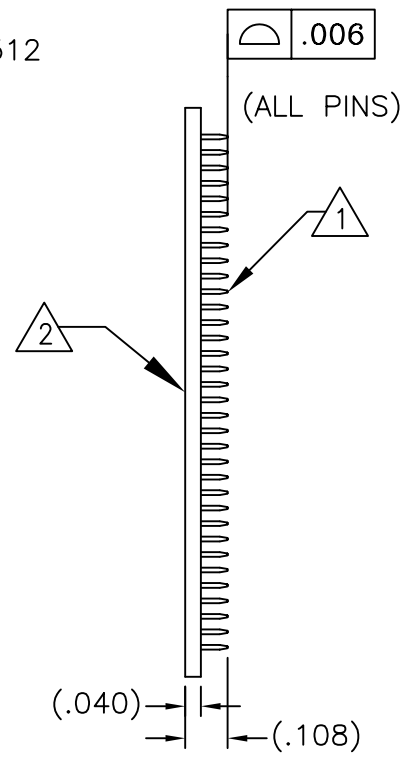
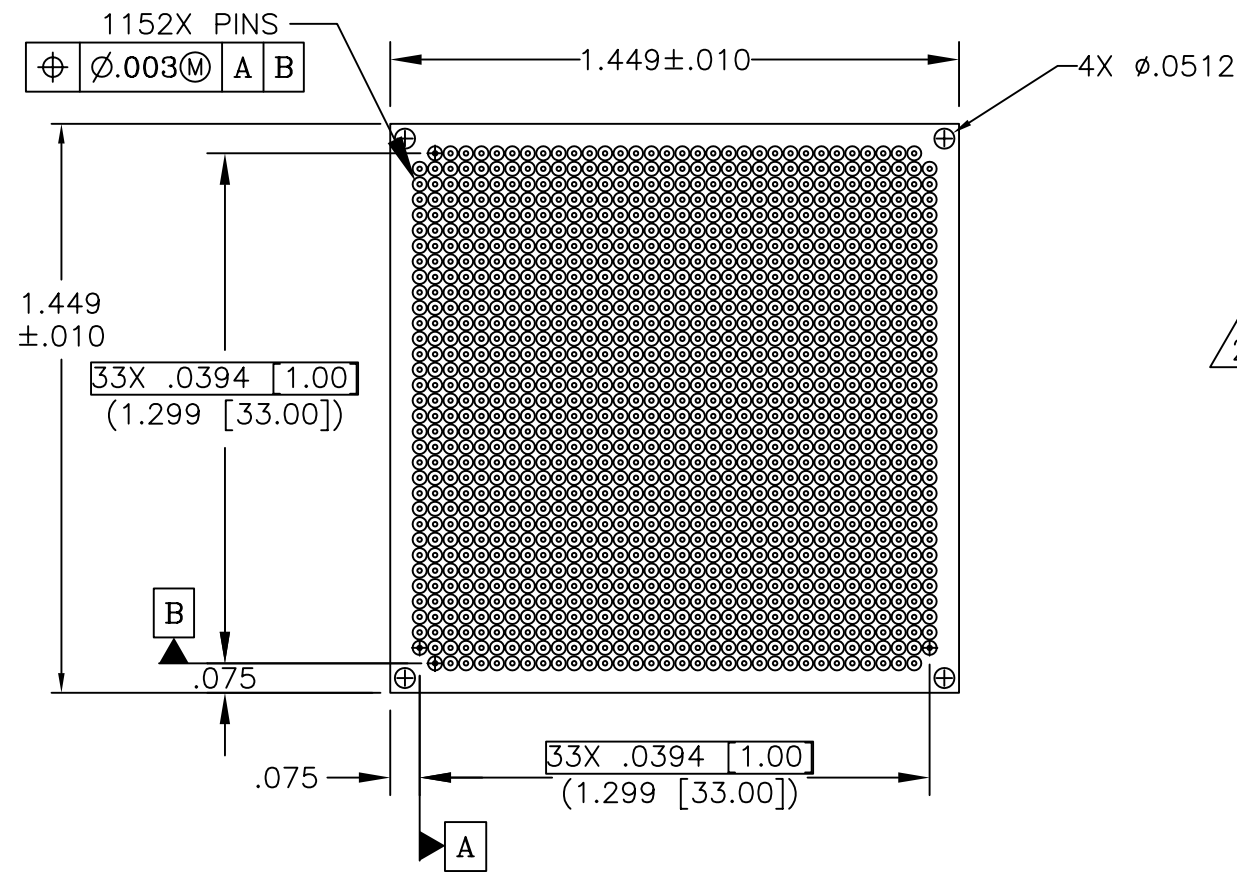


REV	DESCRIPTION	DATE	BY
A	NEW DRAWING	12/08/05	H.N.

F7647

RS VIEW

TOP VIEW



NOTES:

- 1. PINS ø.0117
MATERIAL: PHOSPHOR BRONZE.
PLATING: HARD GOLD OVER NICKEL.
- 2. INSULATOR MATERIAL: FR4.

UNLESS OTHERWISE SPECIFIED:
DIMENSIONS ARE IN INCHES
TOLERANCES:
ANGLES: ±
FRACTIONS: ±1/64
DECIMALS:
.XX ±.010
.XXX ±.005
.XXXX ±.0005

ALL DIMENSIONS ARE IN INCHES UNLESS OTHERWISE SPECIFIED

Emulation Technology, Inc.
— VLSI and SMT ADAPTERS and ACCESSORIES —

2344 Walsh Avenue, Bldg.F Santa Clara, Ca 95051
TEL:(408)982-0660 FAX:(408)982-0664

SHEET: 1 OF 1 DATE: 12/08/05 REVISION: A

CHECKED: Perry Munroe DRAWN: Huy Nguyen

Scale 2:1 DO NOT SCALE DRAWING

ITEM: HLP-341152-B-10
DESCRIPTION: HLP-341152-B-10