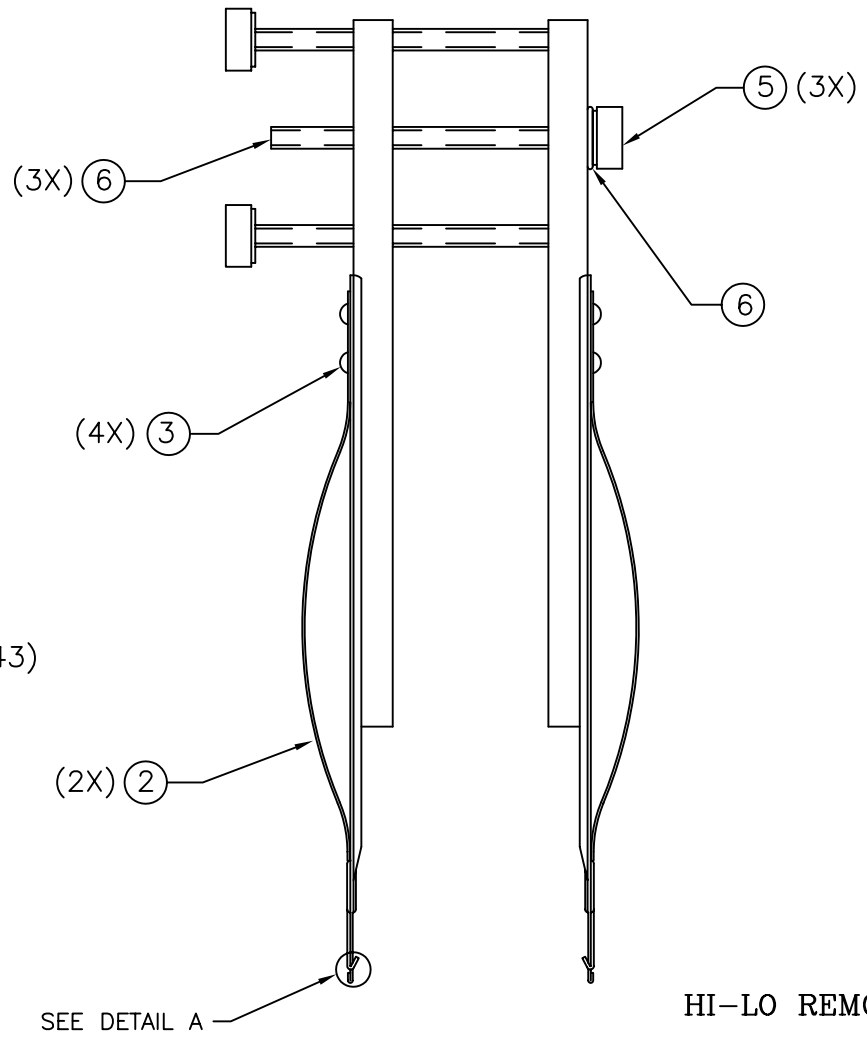
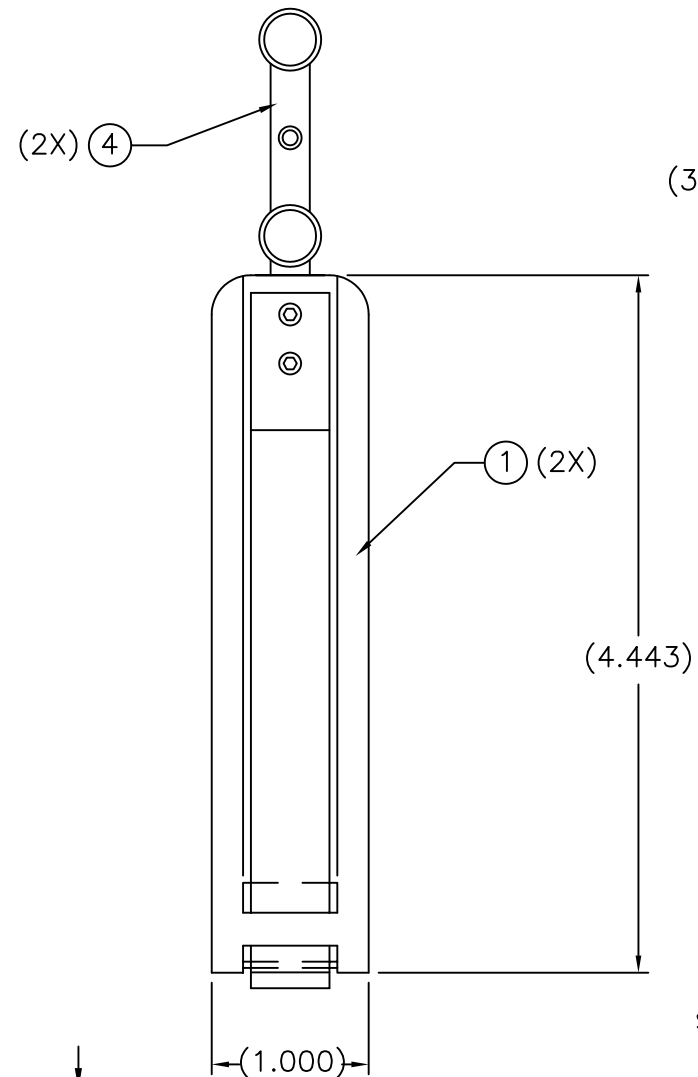
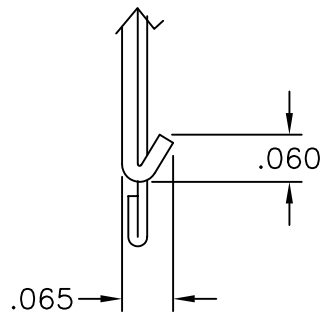


REV	DESCRIPTION	DATE	BY
A	NEW DRAWING	12/01/05	H.N.

F7639



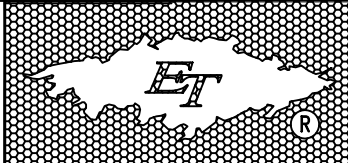
HI-LO REMOVAL TOOL



DETAIL A

UNLESS OTHERWISE SPECIFIED:  
 DIMENSIONS ARE IN INCHES  
 TOLERANCES:  
 ANGLES: ±  
 FRACTIONS: ±1/64  
 DECIMALS:  
 .XX ±.010  
 .XXX ±.005  
 .XXXX ±.0005

ALL DIMENSIONS ARE IN INCHES UNLESS OTHERWISE SPECIFIED



**Emulation Technology, Inc.**  
 — VLSI and SMT ADAPTERS and ACCESSORIES —  
 2344 Walsh Avenue, Bldg.F Santa Clara, Ca 95051  
 TEL:(408)982-0660 FAX:(408)982-0664

SHEET: 1 OF 1	DATE: 12/01/05	REVISION: A	<b>ASSEMBLY DRAWING</b>
CHECKED: Perry Munroe	DRAWN: Huy Nguyen	ITEM: E00001-2	
Scale N/A	DO NOT SCALE DRAWING	DESCRIPTION: E00001-2	