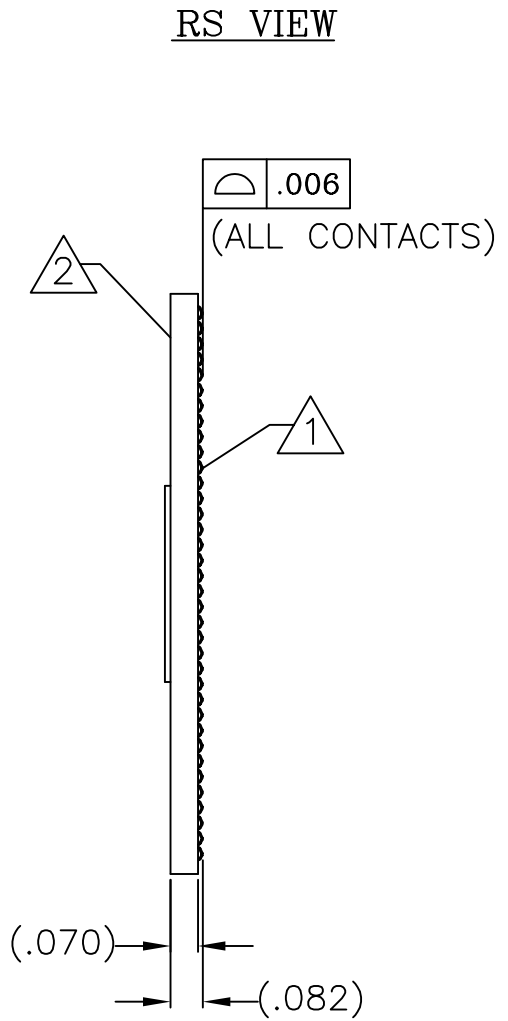
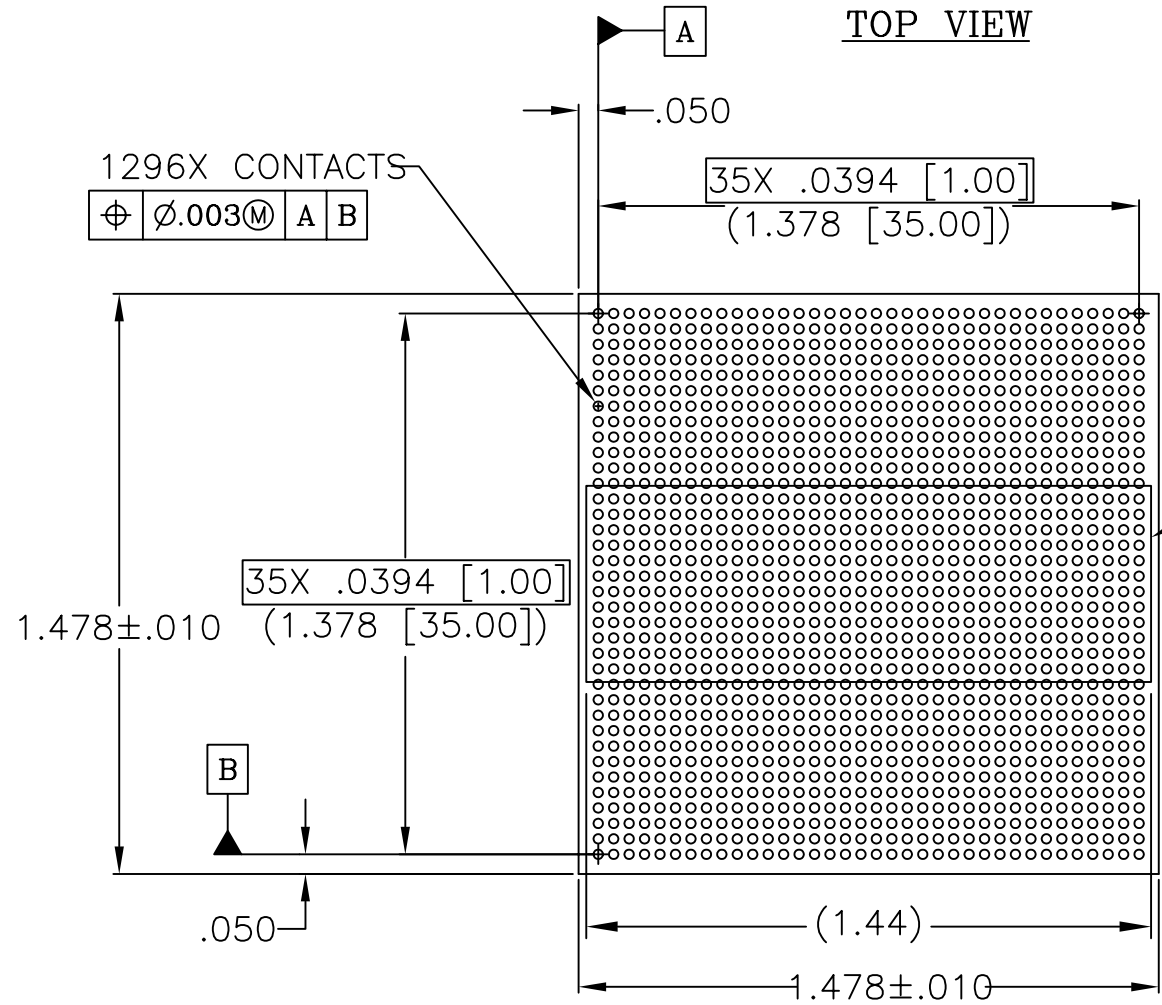


REV	DESCRIPTION	DATE	BY
A	NEW DRAWING	11/09/05	H.N.

F7608




NOTES:

- ① CONTACT MATERIAL: BERYLLIUM COPPER.
CONTACT PLATING: HARD GOLD OVER NICKEL.
- ② INSULATOR MATERIAL: FR4, BLACK, T_g125°C.
- ③ KAPTON TAPE FOR PICK AND PLACE.
- ④ RECOMMENDED KEEP OUT ZONE: NO COMPONENTS WITHIN .085" OF INSULATOR BODY FOR EXTRACTION TOOL CLEARANCE.

UNLESS OTHERWISE SPECIFIED:
 DIMENSIONS ARE IN INCHES
 [ALTERNATE] DIMENSIONS ARE IN MILLIMETERS

TOLERANCES:
 ANGLES: ±
 FRACTIONS: ±1/64
 DECIMALS:
 .XX ±.010
 .XXX ±.005
 .XXXX ±.0005

ALL DIMENSIONS ARE IN INCHES UNLESS OTHERWISE SPECIFIED



Emulation Technology, Inc.
 — VLSI and SMT ADAPTERS and ACCESSORIES —

2344 Walsh Avenue, Bldg.F Santa Clara, Ca 95051
 TEL:(408)982-0660 FAX:(408)982-0664

SHEET: 1 OF 1	DATE: 11/09/05	REVISION: A	ASSEMBLY DRAWING
CHECKED: Perry Munroe	DRAWN: Huy Nguyen	ITEM: HLS-361296-B-10	
Scale 2:1	DO NOT SCALE DRAWING	DESCRIPTION: HLS-361296-B-10	