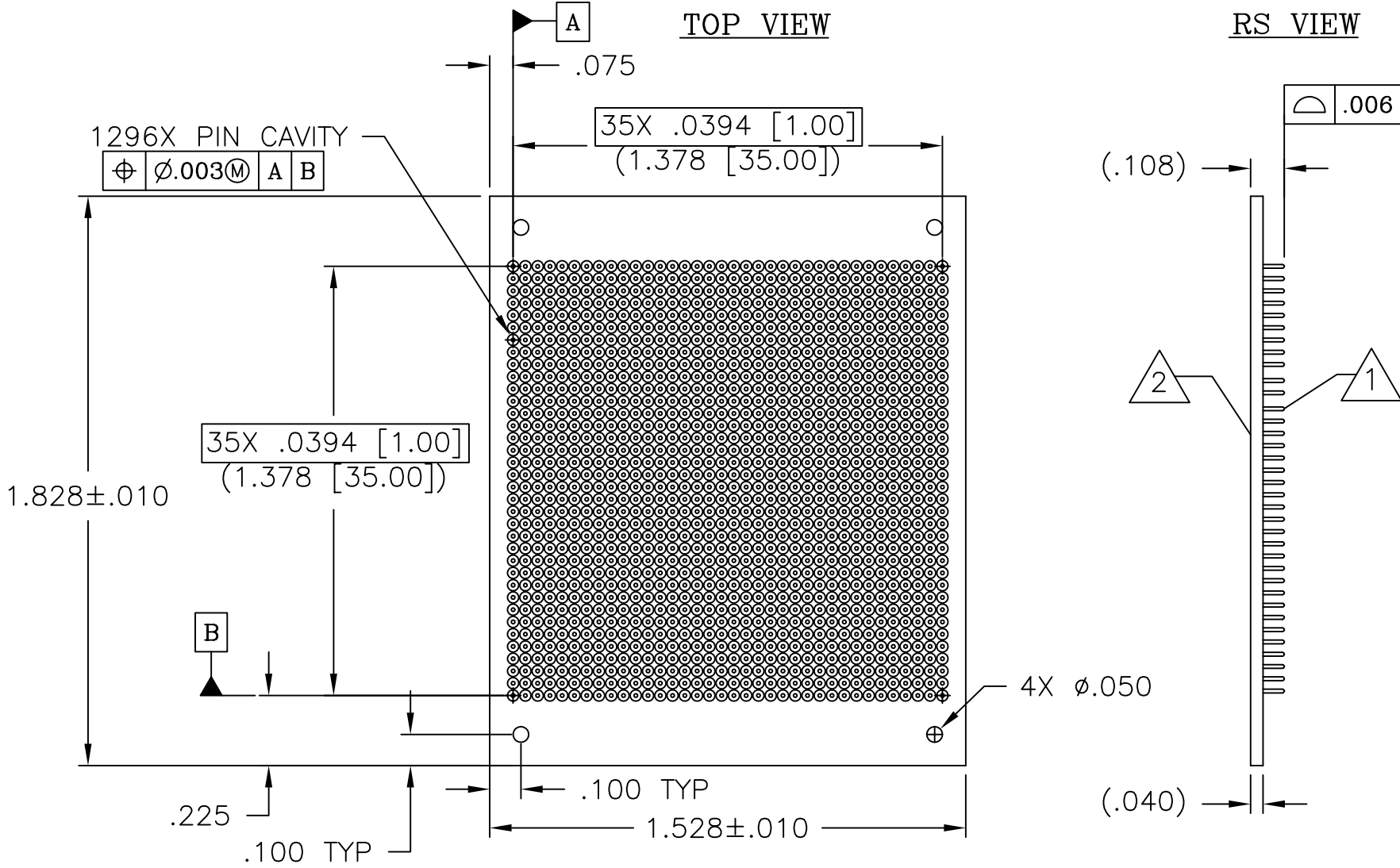


REV	DESCRIPTION	DATE	BY
A	NEW DRAWING	11/09/05	H.N.

F7607

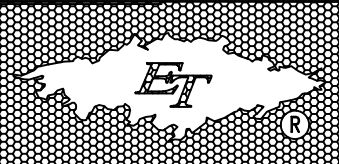


- NOTES:
- 1. PINS ϕ .012 X .108 LONG.
MATERIAL: PHOSPHOR BRONZE.
PLATING: HARD GOLD OVER NICKEL.
 - 2. INSULATOR MATERIAL: FR4, BLACK, Tg125°C.

UNLESS OTHERWISE SPECIFIED:
DIMENSIONS ARE IN INCHES
[ALTERNATE] DIMENSIONS ARE IN MILLIMETERS

TOLERANCES:
ANGLES: \pm
FRACTIONS: $\pm 1/64$
DECIMALS:
.XX \pm .010
.XXX \pm .005
.XXXX \pm .0005

ALL DIMENSIONS ARE IN INCHES UNLESS OTHERWISE SPECIFIED



Emulation Technology, Inc.
— VLSI and SMT ADAPTERS and ACCESSORIES —

2344 Walsh Avenue, Bldg.F Santa Clara, Ca 95051
TEL:(408)982-0660 FAX:(408)982-0664

SHEET: 1 OF 1	DATE: 11/09/05	REVISION: A	ASSEMBLY DRAWING
CHECKED: Perry Munroe	DRAWN: Huy Nguyen	ITEM: HLP-361296-B-10	
Scale 2:1	DO NOT SCALE DRAWING	DESCRIPTION: HLP-361296-B-10	