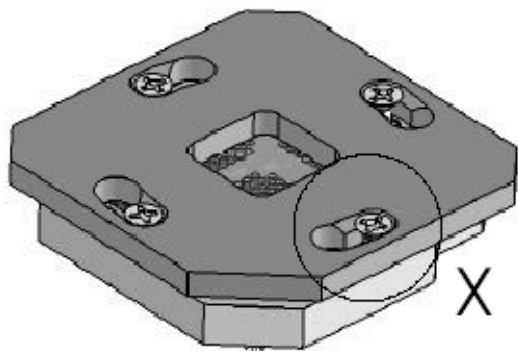


REV	DESCRIPTION	DATE	BY
A	NEW DRAWING	05/31/05	H.N.

F7488

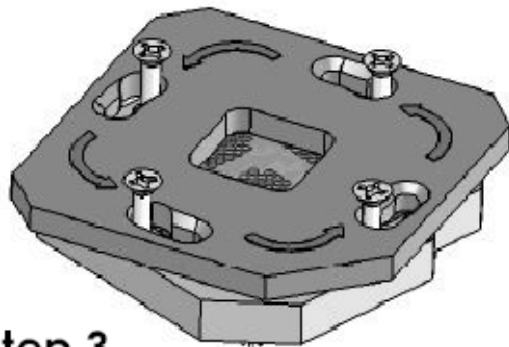


DETAIL X  
SCALE 2.5 : 1



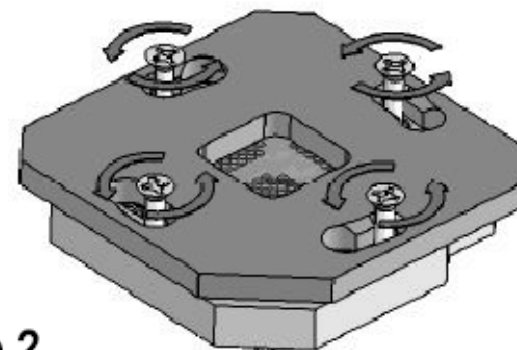
**Step 1**

To untighten a screwlock socket, use a Philips Head screwdriver



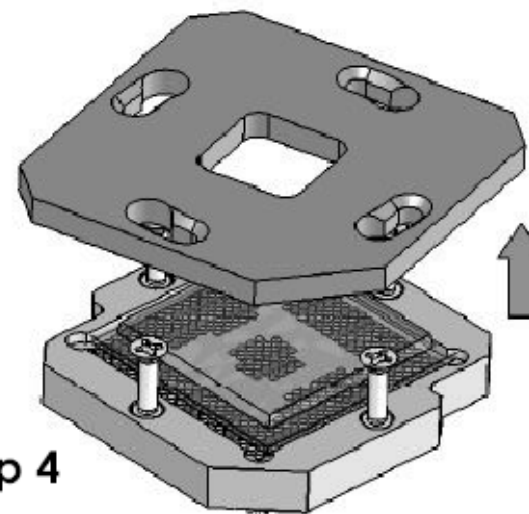
**Step 3**

Turn the twistlock retainer anti-clockwise by around 15°



**Step 2**

Untighten the screws without removing them completely from the socket base



**Step 4**

Remove the retainer, leaving the screws attached to the socket base

ALL DIMENSIONS ARE IN MILLIMETERS UNLESS OTHERWISE SPECIFIED			
		<b>Emulation Technology, Inc.</b> — VLSI and SMT ADAPTERS and ACCESSORIES —	
		2344 Walsh Avenue, Bldg.F Santa Clara, Ca 95051	
TEL:(408)982-0660 FAX:(408)982-0664			
SHEET: 1 OF 1	DATE: 05/31/05	REVISION: A	<b>ASSEMBLY DRAWING</b>
CHECKED: Perry Munroe	DRAWN: Huy Nguyen	ITEM: TWIST LOCK	
Scale N/A	DO NOT SCALE DRAWING	DESCRIPTION: Screw Lock Twistlock Retention Frame Instructions	