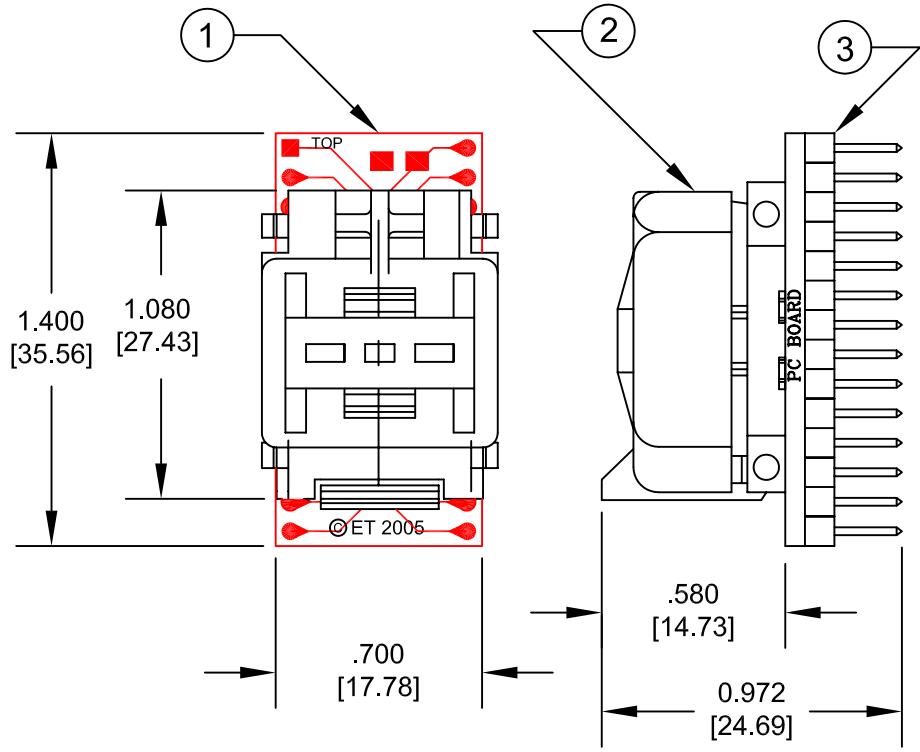
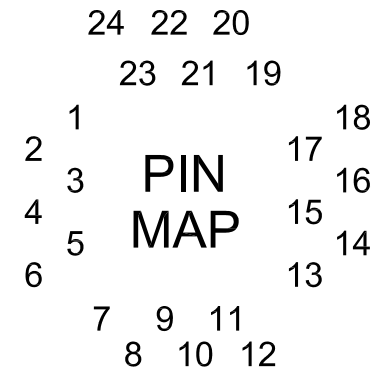


REV	DESCRIPTION	DATE	INIT
A	NEW DRAWING	5/23/05	K.B



DIP28 PIN#	MLF24 PIN#
1	22
2	23
3	24
4	1
5	NC
6	NC
7	NC
8	NC
9	2
10	4
11	5
12	6
13	7
14	3,9,21



DIP28 PIN#	MLF24 PIN#
28	20
27	19
26	18
25	17
24	16
23	NC
22	NC
21	NC
20	NC
19	14
18	13
17	12
16	11
15	10

ALL DIMENSIONS ARE IN INCHES UNLESS OTHERWISE SPECIFIED



**Emulation Technology, Inc.**  
- VLSI and SMT ADAPTERS and ACCESSORIES -

[www.emulation.com](http://www.emulation.com)

TEL: (408) 982-0660

2344 Walsh Ave, Bldg. F Santa Clara, CA 95051

FAX: (408) 982-0664

NO.	ITEM	DESCRIPTION	QTY.
1	24-28-01ML-6	BASE BOARD	1
2	S-MLF-00-024-B	SOCKET	1
3	WWPOST-36-AS	CONNECTOR	1

SHEET: 1 OF 1	DATE: 5/23/05	REVISION: <b>A</b>	<b>ASSEMBLY DRAWING</b>
CHECKED: PERRY MUNROE	DRAWN: K.BURNS		
DO NOT SCALE DRAWING			ITEM: 242801ML600
			DESCRIPTION: AS-24-28-01ML-6