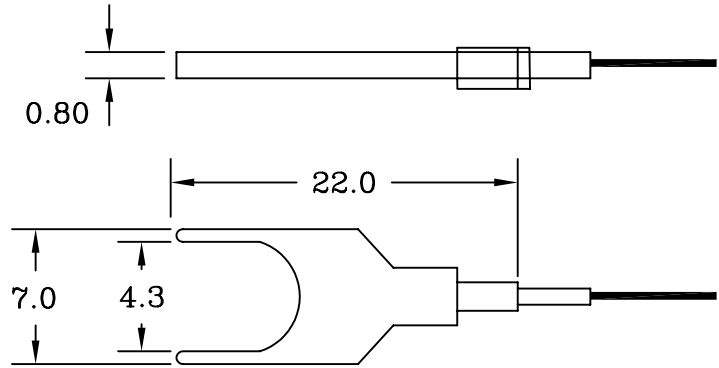
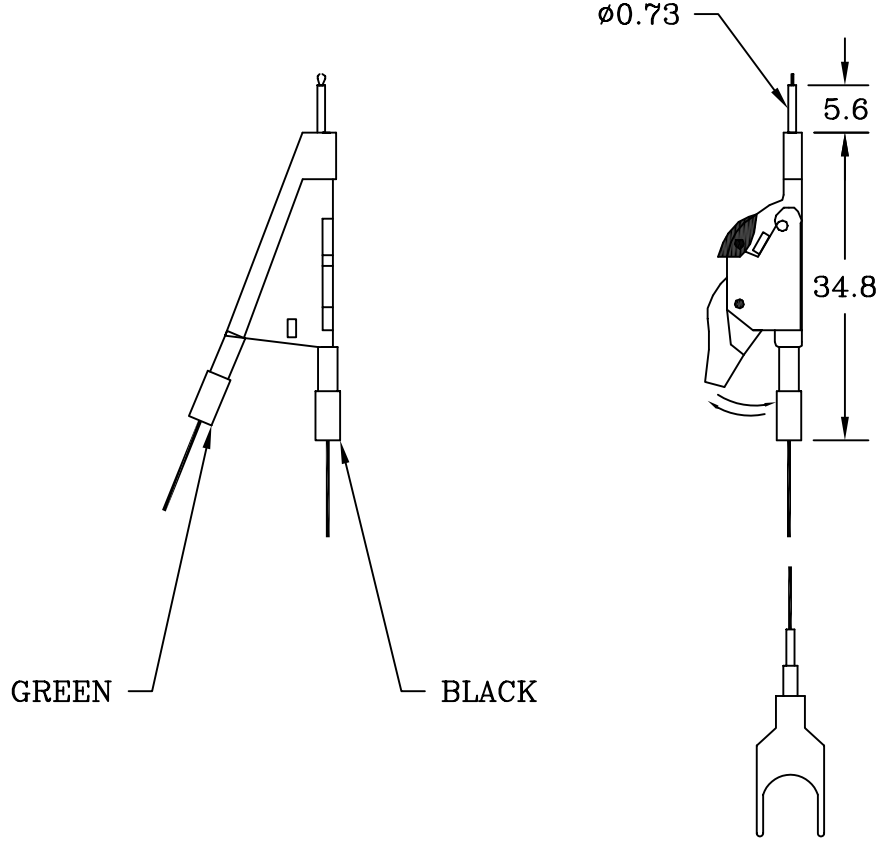
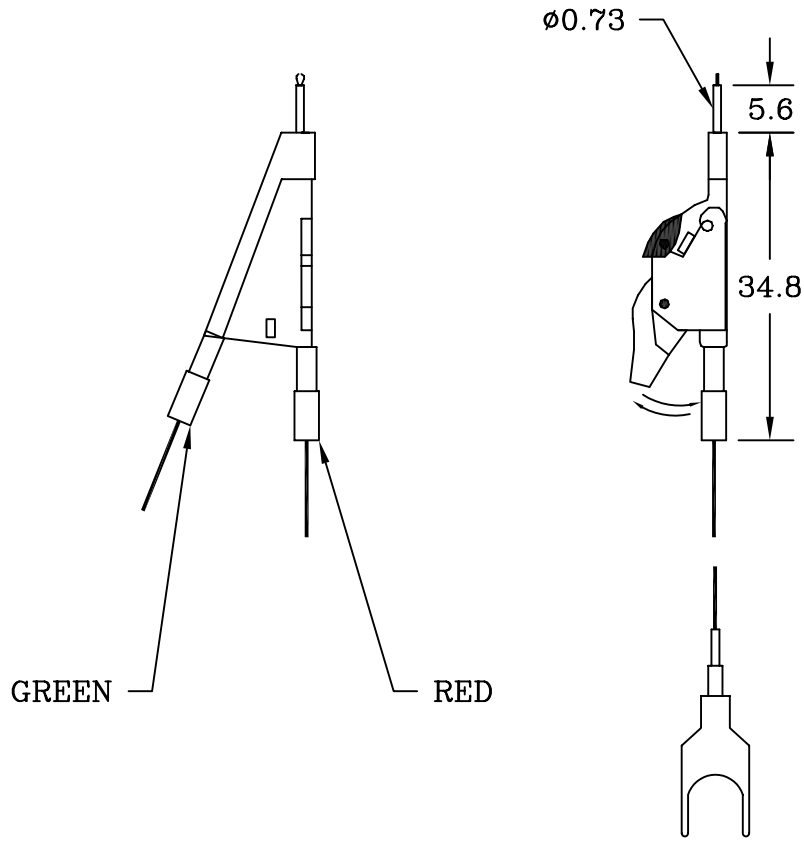
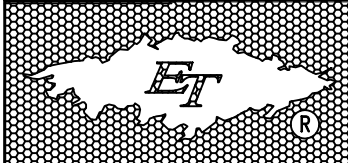


REV	DESCRIPTION	DATE	BY
A	NEW DRAWING	02/04/05	H.N.

F7426



ALL DIMENSIONS ARE IN MILLIMETERS UNLESS OTHERWISE SPECIFIED



Emulation Technology, Inc.

— VLSI and SMT ADAPTERS and ACCESSORIES —

2344 Walsh Avenue, Bldg.F
Santa Clara, Ca 95051

TEL:(408)982-0660
FAX:(408)982-0664

SHEET: 1 OF 1	DATE: 02/04/05	REVISION: A	ASSEMBLY DRAWING
CHECKED: Perry Munroe		DRAWN: Huy Nguyen	
Scale N/A		DO NOT SCALE DRAWING	
ITEM: FP-KELVIN-2			DESCRIPTION: FP-KELVIN-2