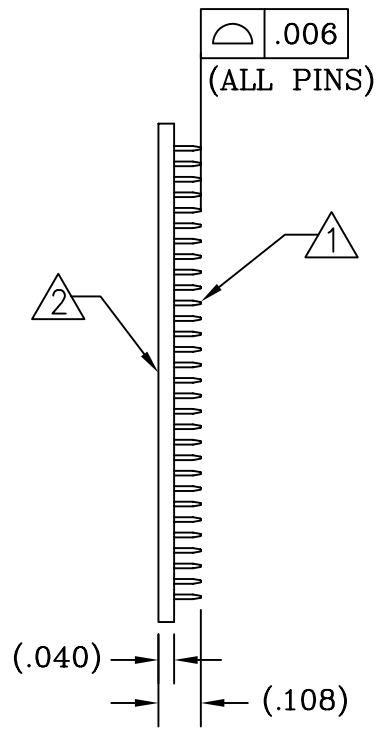
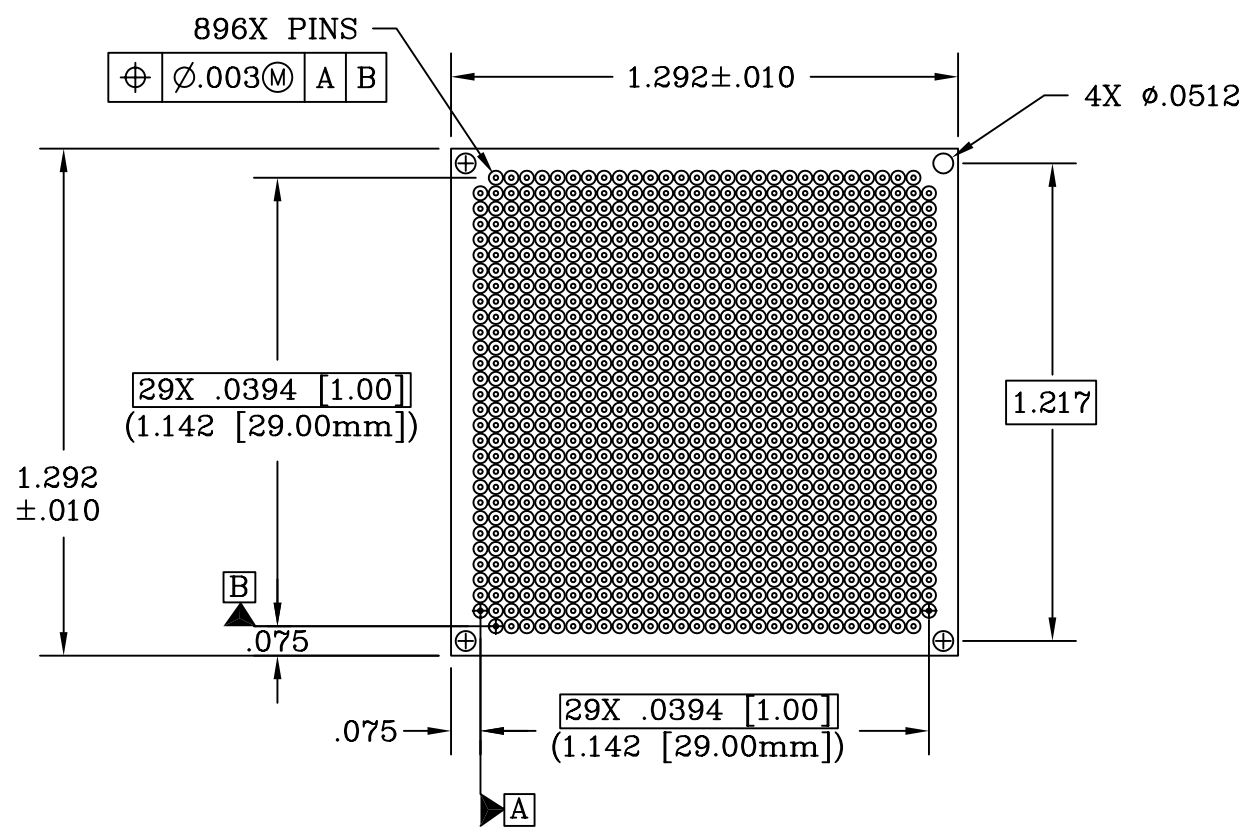


REV	DESCRIPTION	DATE	BY
A	NEW DRAWING	10/05/04	H.N.

F7352

TOP VIEW

RS VIEW

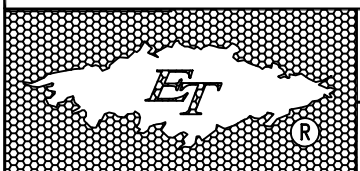


NOTES:

- 1. PINS  $\phi$ .0117  
MATERIAL: PHOSPHOR BRONZE.  
PLATING: HARD GOLD OVER NICKEL.
- 2. INSULATOR MATERIAL: FR4.

UNLESS OTHERWISE SPECIFIED:  
DIMENSIONS ARE IN INCHES  
(ALTERNATE) DIMENSIONS ARE IN mm  
TOLERANCES:  
ANGLES:  $\pm$   
FRACTIONS:  $\pm 1/64$   
DECIMALS:  
.XX  $\pm$ .010  
.XXX  $\pm$ .005  
.XXXX  $\pm$ .0005

ALL DIMENSIONS ARE IN INCHES UNLESS OTHERWISE SPECIFIED



**Emulation Technology, Inc.**  
— VLSI and SMT ADAPTERS and ACCESSORIES —  
2344 Walsh Avenue, Bldg.F Santa Clara, Ca 95051  
TEL:(408)982-0660 FAX:(408)982-0664

SHEET: 1 OF 1	DATE: 10/05/04	REVISION: A	<b>ASSEMBLY DRAWING</b>
CHECKED: Perry Munroe	DRAWN: Huy Nguyen	ITEM: HLP-300896-B-10	DESCRIPTION: HLP-300896-B-10
Scale 2:1	DO NOT SCALE DRAWING		