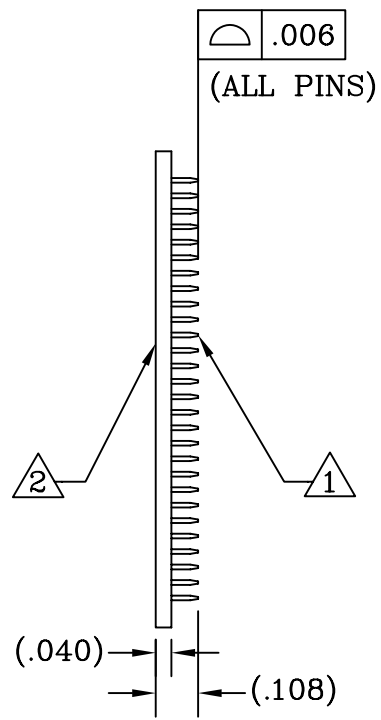
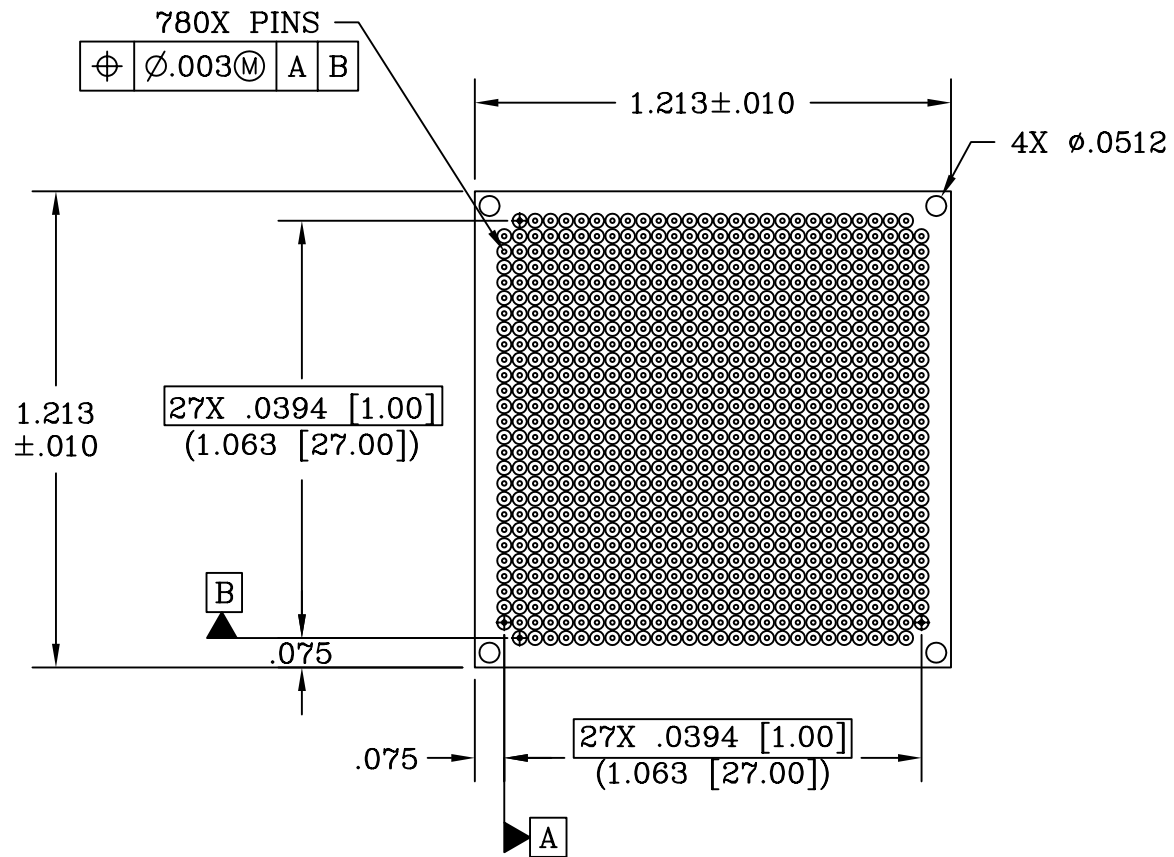


REV	DESCRIPTION	DATE	BY
A	NEW DRAWING	08/30/04	H.N.

F7329

TOP VIEW

RS VIEW

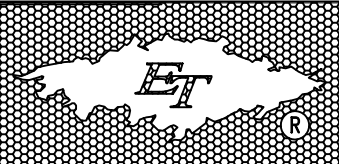


NOTES:

- ① PINS $\phi.0117$
- MATERIAL: PHOSPHOR BRONZE.
- PLATING: HARD GOLD OVER NICKEL.
- ② INSULATOR MATERIAL: FR4.

UNLESS OTHERWISE SPECIFIED:
 DIMENSIONS ARE IN INCHES
 (ALTERNATE) DIMENSIONS ARE IN mm
 TOLERANCES:
 ANGLES: \pm
 FRACTIONS: $\pm 1/64$
 DECIMALS:
 .XX $\pm .010$
 .XXX $\pm .005$
 .XXXX $\pm .0005$

ALL DIMENSIONS ARE IN INCHES UNLESS OTHERWISE SPECIFIED



Emulation Technology, Inc.
 — VLSI and SMT ADAPTERS and ACCESSORIES —

2344 Walsh Avenue, Bldg.F Santa Clara, Ca 95051
 TEL:(408)982-0660 FAX:(408)982-0664

SHEET: 1 OF 1	DATE: 08/30/04	REVISION: A	ASSEMBLY DRAWING
CHECKED: Perry Munroe	DRAWN: Huy Nguyen	ITEM: HLP-280780-B-10	
Scale 2:1	DO NOT SCALE DRAWING	DESCRIPTION: HLP-280780-B-10	