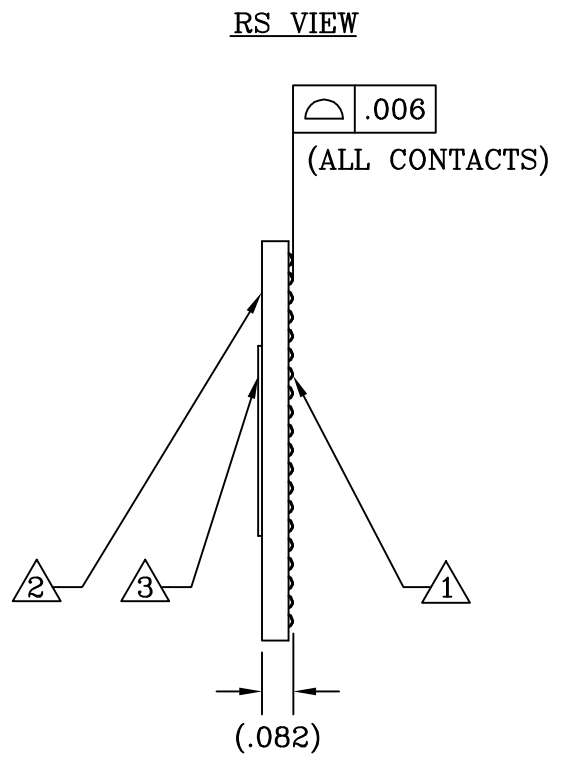
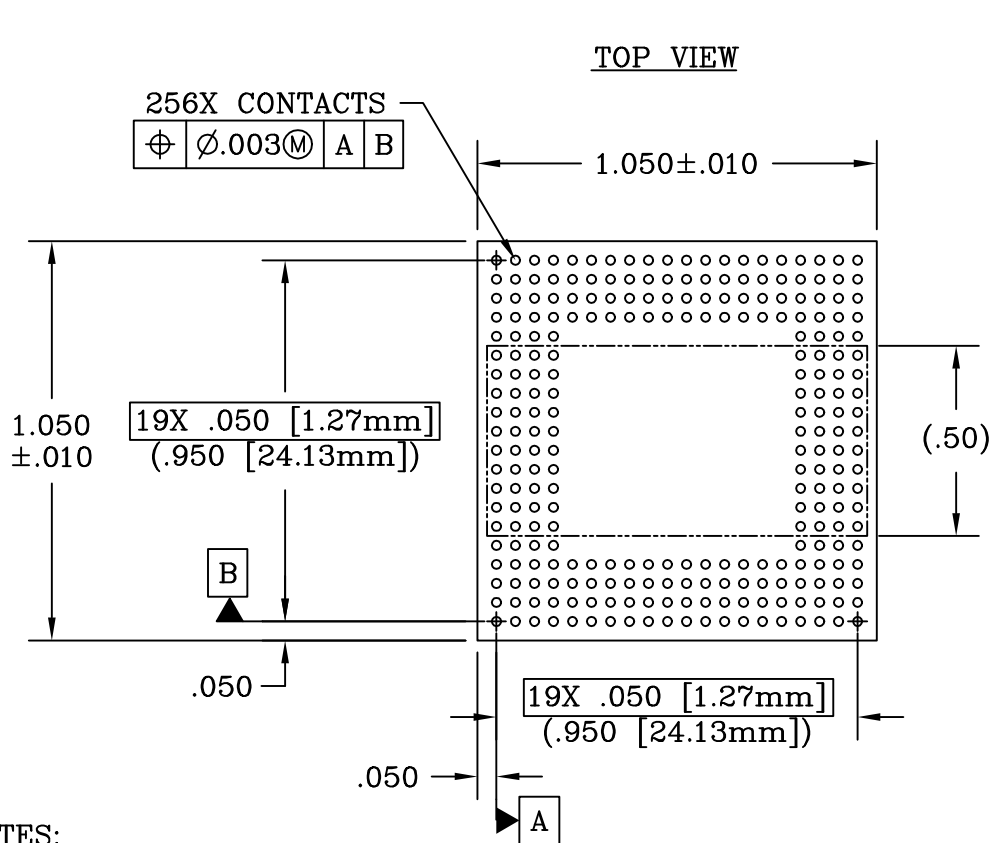


REV	DESCRIPTION	DATE	BY
A	NEW DRAWING	03/05/04	H.N.

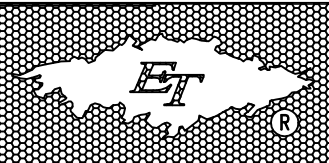
F7238
DOD 37238



- NOTES:**
- ① CONTACT MATERIAL: BERYLLIUM COPPER.
CONTACT PLATING: HARD GOLD OVER NICKEL.
 - ② INSULATOR MATERIAL: FR4
 - ③ KAPTON TAPE FOR PICK AND PLACE.

UNLESS OTHERWISE SPECIFIED:
 DIMENSIONS ARE IN INCHES
 (ALTERNATE) DIMENSIONS ARE IN mm
 TOLERANCES:
 ANGLES: ±
 FRACTIONS: ±1/64
 DECIMALS:
 .XX ±.010
 .XXX ±.005
 .XXXX ±.0005

ALL DIMENSIONS ARE IN INCHES UNLESS OTHERWISE SPECIFIED



Emulation Technology, Inc.
 — VLSI and SMT ADAPTERS and ACCESSORIES —

2344 Walsh Avenue, Bldg.F Santa Clara, Ca 95051
 TEL:(408)982-0660 FAX:(408)982-0664

SHEET: 1 OF 1	DATE: 03/05/04	REVISION: A	ASSEMBLY DRAWING
CHECKED: Perry Munroe	DRAWN: Huy Nguyen	ITEM: HLS-200256-A-10	
Scale 2:1	DO NOT SCALE DRAWING	DESCRIPTION: HLS-200256-A-10	