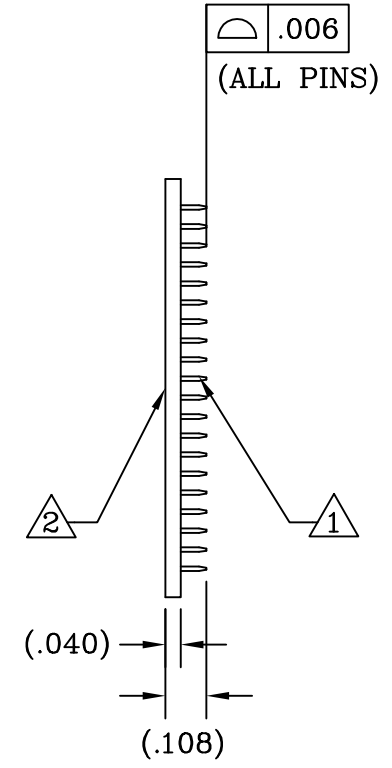
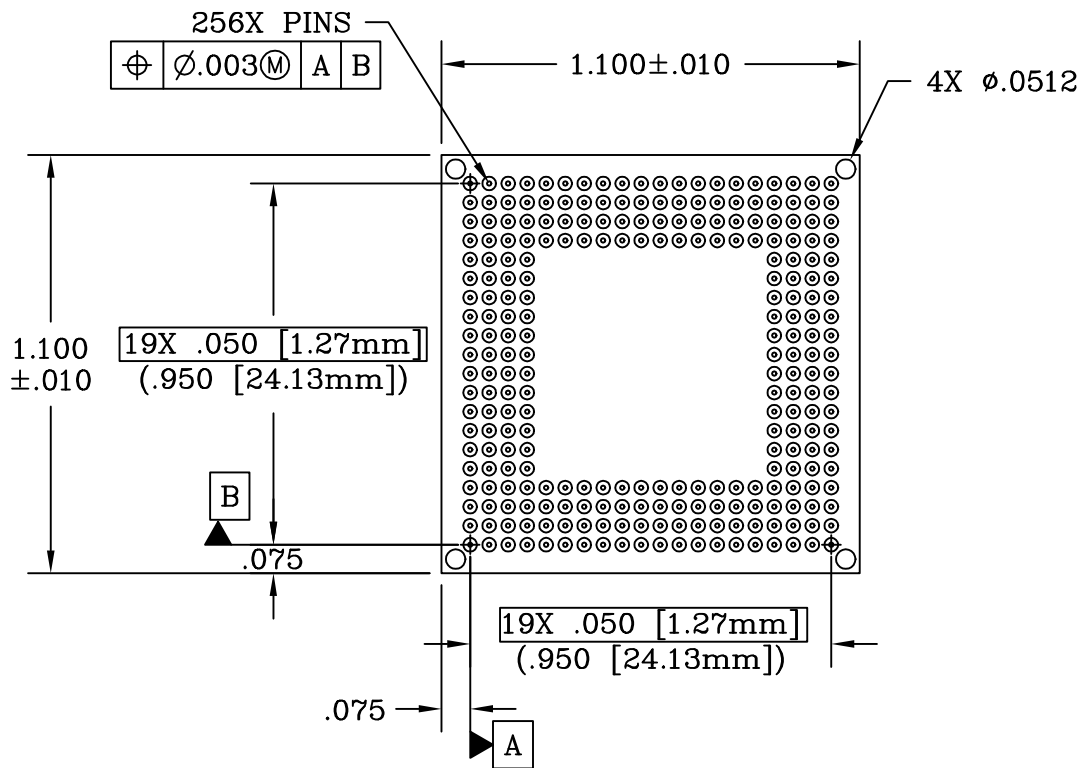


REV	DESCRIPTION	DATE	BY
A	NEW DRAWING	03/05/04	H.N.

F7237
DOD 37237

TOP VIEW

RS VIEW

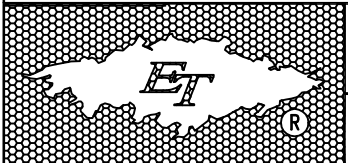


NOTES:

- 1. PINS $\varnothing .0117$
MATERIAL: PHOSPHOR BRONZE.
PLATING: HARD GOLD OVER NICKEL.
- 2. INSULATOR MATERIAL: FR4.

UNLESS OTHERWISE SPECIFIED:
 DIMENSIONS ARE IN INCHES
 (ALTERNATE) DIMENSIONS ARE IN mm
 TOLERANCES:
 ANGLES: \pm
 FRACTIONS: $\pm 1/64$
 DECIMALS:
 .XX $\pm .010$
 .XXX $\pm .005$
 .XXXX $\pm .0005$

ALL DIMENSIONS ARE IN INCHES UNLESS OTHERWISE SPECIFIED



Emulation Technology, Inc.
 — VLSI and SMT ADAPTERS and ACCESSORIES —

2344 Walsh Avenue, Bldg.F Santa Clara, Ca 95051
 TEL:(408)982-0660 FAX:(408)982-0664

SHEET: 1 OF 1	DATE: 03/05/04	REVISION: A	ASSEMBLY DRAWING
CHECKED: Perry Munroe	DRAWN: Huy Nguyen	ITEM: HLP-200256-A-10	
Scale 2:1	DO NOT SCALE DRAWING	DESCRIPTION: HLP-200256-A-10	