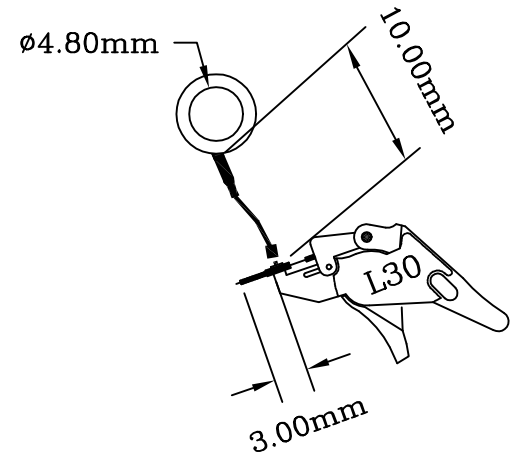
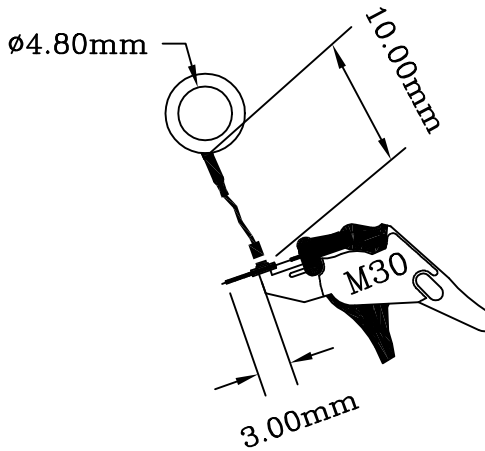
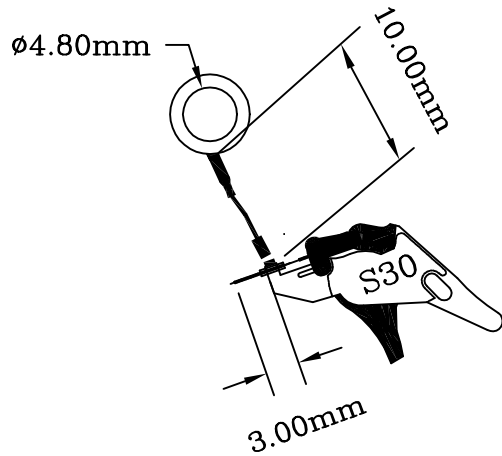
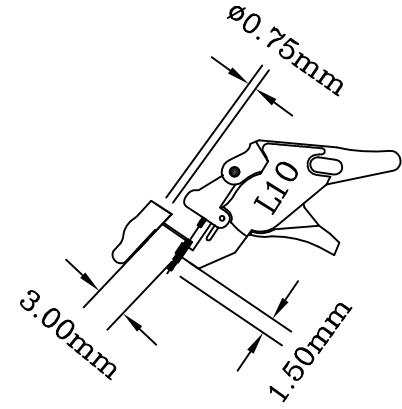
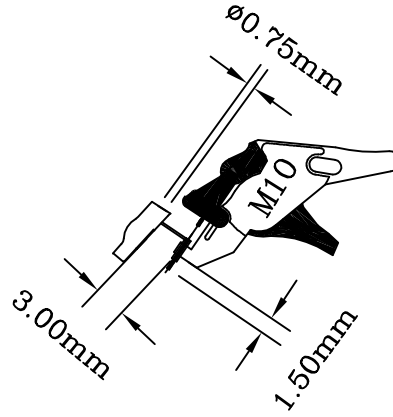
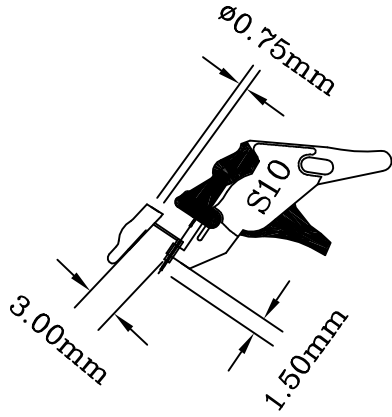


REV	DESCRIPTION	DATE	BY
A	NEW DRAWING	10/16/03	H.N.

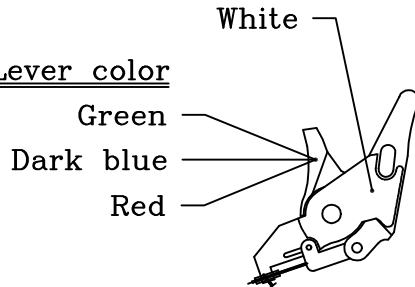
F7062
DOD 37062



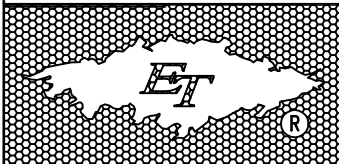
IC Leads pitch

- L: 2.54 ~ 0.80mm
- M: 1.00 ~ 0.50mm
- S: 0.50 ~ 0.20mm

Lever color



ALL DIMENSIONS ARE IN MILLIMETERS UNLESS OTHERWISE SPECIFIED



Emulation Technology, Inc.
— VLSI and SMT ADAPTERS and ACCESSORIES —

2344 Walsh Avenue, Bldg.F Santa Clara, Ca 95051
TEL:(408)982-0660 FAX:(408)982-0664

SHEET: 1 OF 1	DATE: 10/16/03	REVISION: A	ASSEMBLY DRAWING
CHECKED: Perry Munroe	DRAWN: Huy Nguyen	ITEM: 3 GHz NOISE FREE TEST CLIP	
Scale N/A	DO NOT SCALE DRAWING		DESCRIPTION: 3 GHz NOISE FREE TEST CLIP