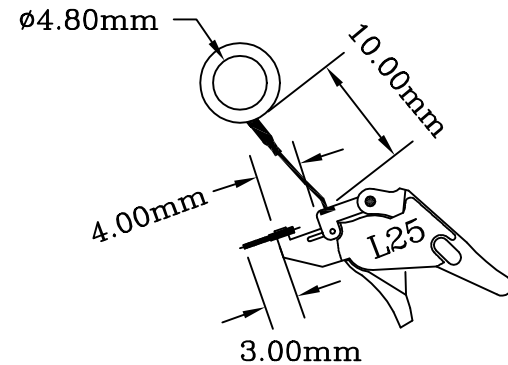
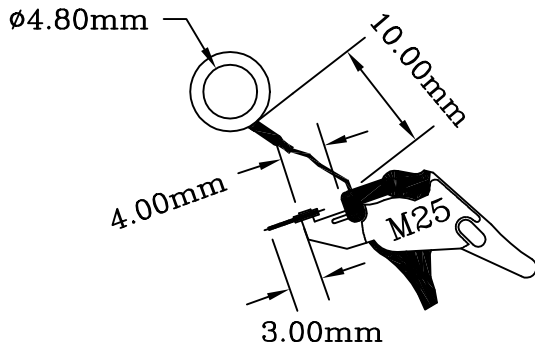
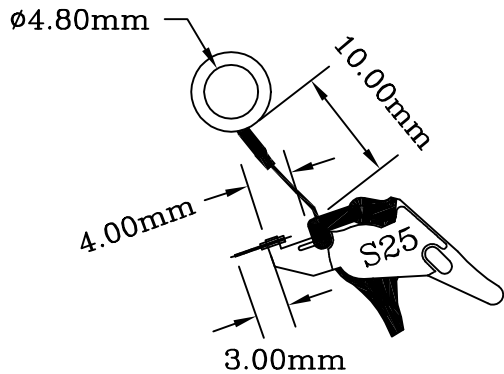
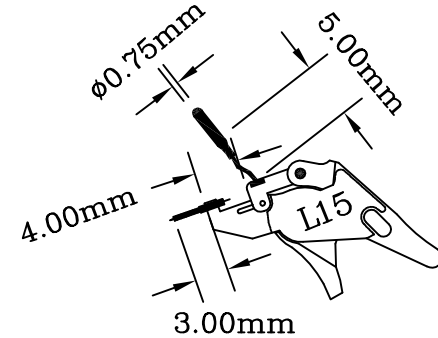
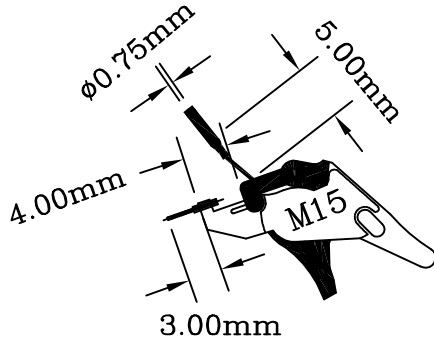
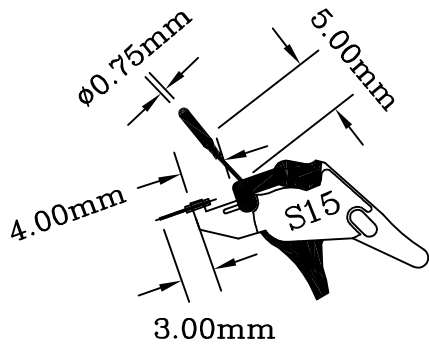
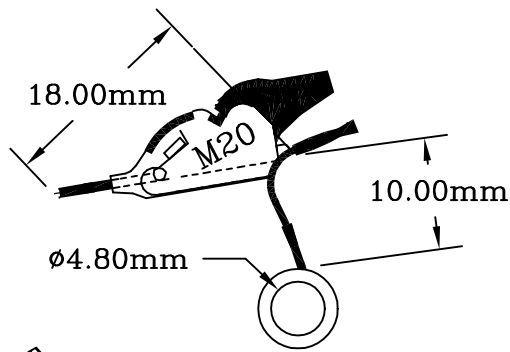


REV	DESCRIPTION	DATE	BY
A	NEW DRAWING	10/15/03	H.N.

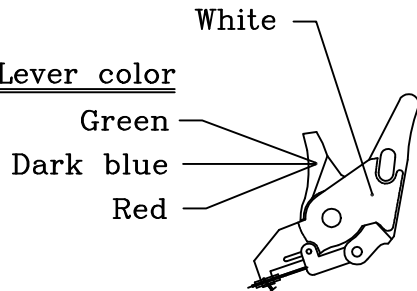
F7061  
DOD 37061



IC Leads pitch

- L: 2.54 ~ 0.80mm
- M: 1.00 ~ 0.50mm
- S: 0.50 ~ 0.20mm

Lever color



ALL DIMENSIONS ARE IN MILLIMETERS UNLESS OTHERWISE SPECIFIED			
		<b>Emulation Technology, Inc.</b> — VLSI and SMT ADAPTERS and ACCESSORIES —	
		2344 Walsh Avenue, Bldg.F Santa Clara, Ca 95051	
TEL:(408)982-0660 FAX:(408)982-0664			
SHEET: 1 OF 1	DATE: 10/15/03	REVISION: A	<b>ASSEMBLY DRAWING</b>
CHECKED: Perry Munroe	DRAWN: Huy Nguyen		ITEM: 1 GHz NOISE FREE TEST CLIP
Scale N/A	DO NOT SCALE DRAWING		DESCRIPTION: 1 GHz NOISE FREE TEST CLIP