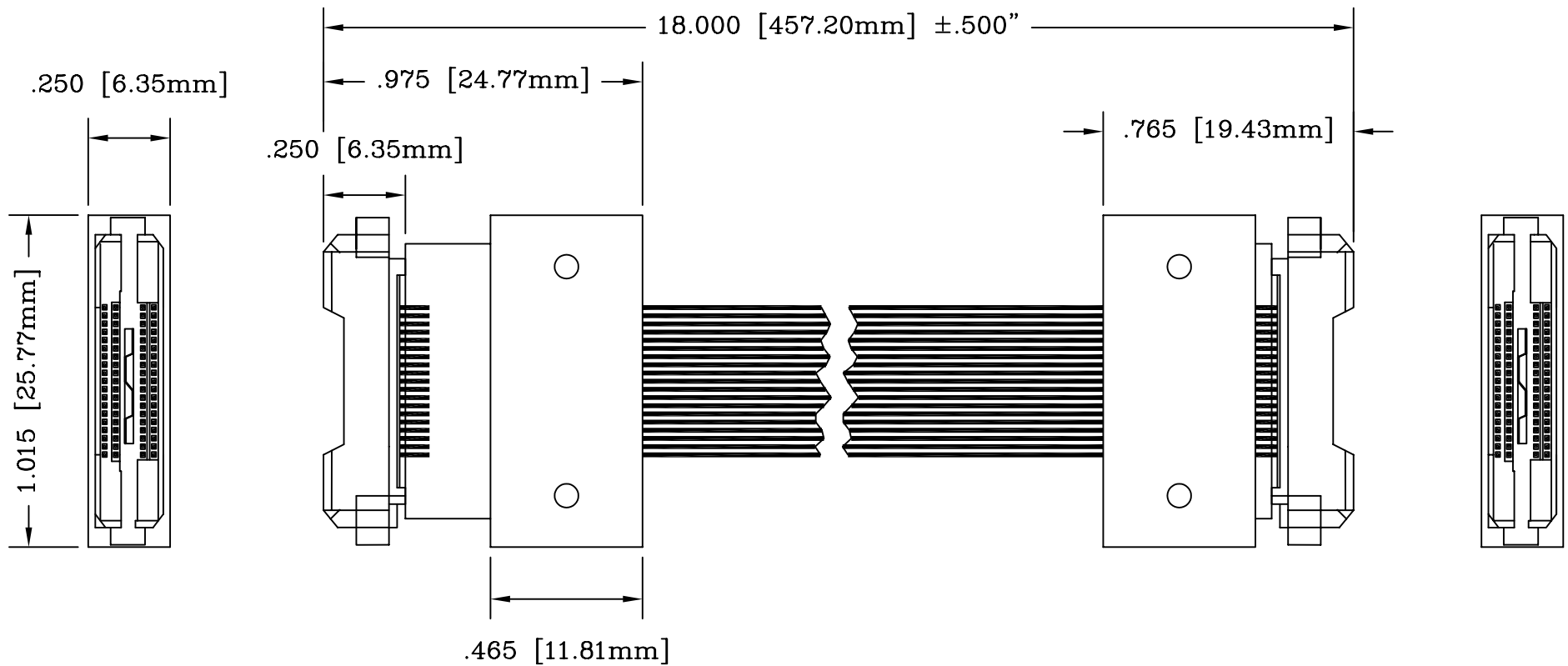


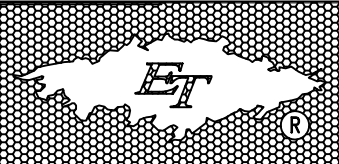
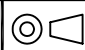
REV	DESCRIPTION	DATE	BY
A	NEW DRAWING	12/16/02	H.N.
B	UPDATED OVERALL DIMENSION	07/08/04	H.N.

F6776



NOTES:

PLUGS MATE WITH AMP P/N 2-767004-2,
767054-1
767044-1
PROPAGATION DELAY: 0.125ns PER INCH
CAPACITANCE: 2.4pf PER INCH

ALL DIMENSIONS ARE IN INCHES UNLESS OTHERWISE SPECIFIED			
		Emulation Technology, Inc. — VLSI and SMT ADAPTERS and ACCESSORIES —	
		2344 Walsh Avenue, Bldg.F Santa Clara, Ca 95051 TEL:(408)982-0660 FAX:(408)982-0664	
SHEET: 1 OF 2	DATE: 07/08/04	REVISION: B	ASSEMBLY DRAWING
CHECKED: Perry Munroe	DRAWN: Huy Nguyen		ITEM: MIC-38-CABLE-MM
Scale 2:1	DO NOT SCALE DRAWING		DESCRIPTION: MIC-38-CABLE-MM-18

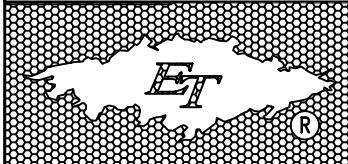
REV	DESCRIPTION	DATE	BY
A	PIN NUMBERING	03-17-04	MD.

F6776

MICTOR CABLE PIN NUMBERING

ODD RIBBON STRAND	EVEN RIBBON STRAND
1	2
3	4
5	6
7	8
9	10
11	12
13	14
15	16
17	18
19	20
21	22
23	24
25	26
27	28
29	30
31	32
33	34
35	36
37	38

NOTE: ALL ODD PINS ARE CARRIED ON ONE RIBBON AND ALL EVEN PINS ON THE OTHER RIBBON

ALL DIMENSIONS ARE IN INCHES UNLESS OTHERWISE SPECIFIED			
		Emulation Technology, Inc. — VLSI and SMT ADAPTERS and ACCESSORIES —	
2344 Walsh Avenue, Bldg.F		TEL:(408)982-0660	
Santa Clara, Ca 95051		FAX:(408)982-0664	
SHEET:	DATE:	REVISION:	ASSEMBLY DRAWING
2 OF 2	03-17-04	A	
CHECKED:	DRAWN:		ITEM:
MIGUEL	MIGUEL		MIC-38-CABLE-MM
Scale 2:1		DO NOT SCALE DRAWING	
			DESCRIPTION:
			MIC-38-CABLE-MM-18