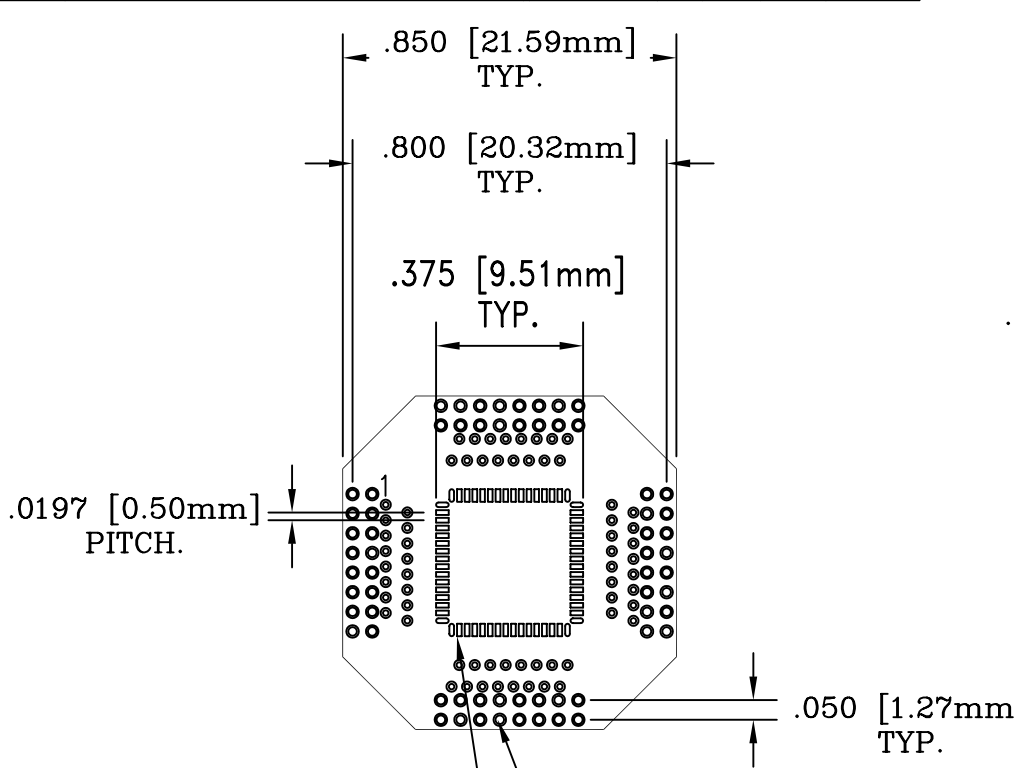
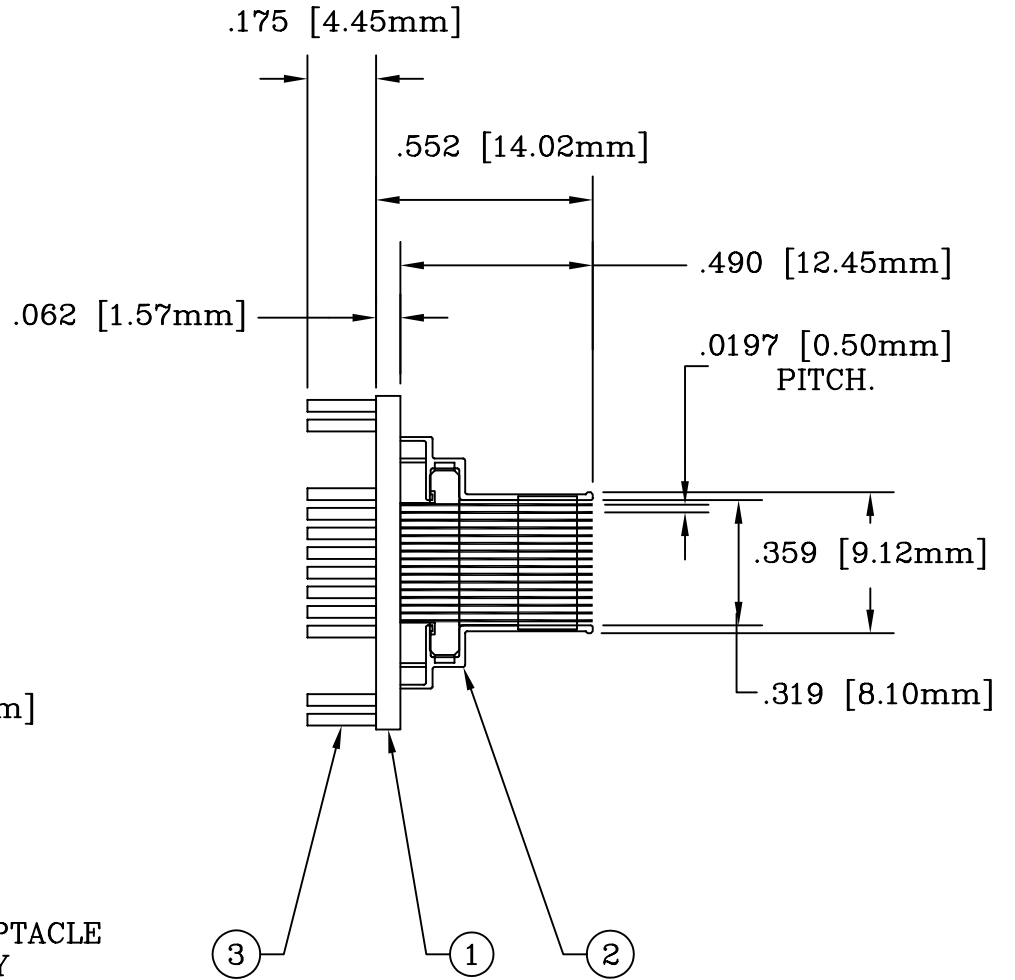


REV	DESCRIPTION	DATE	BY
A	NEW DRAWING	10/14/02	M.D.
B	ADDED NOTES	12/11/03	H.N.
C	ADDED PINMAP PAGE #2	10/29/04	H.N.

F6738



TEST POINTS OR RECEPTACLE FOR ZIP TOP ASSEMBLY
 CUSTOMER CAN SOLDER CHIP HERE



ALL DIMENSIONS ARE IN INCHES UNLESS OTHERWISE SPECIFIED

Emulation Technology, Inc.
 — VLSI and SMT ADAPTERS and ACCESSORIES —
 2344 Walsh Avenue, Bldg.F Santa Clara, Ca 95051
 TEL:(408)982-0660 FAX:(408)982-0664

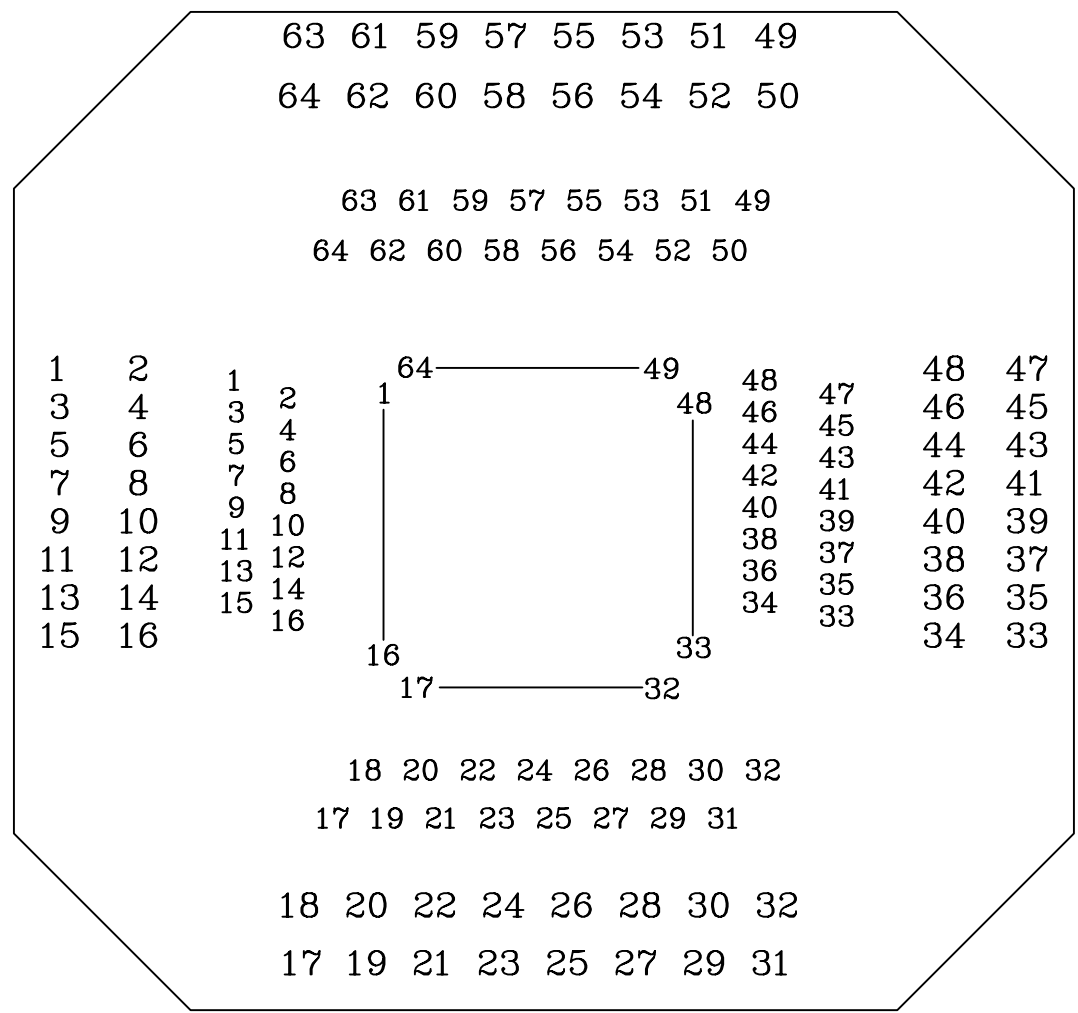
NO.	ITEM	DESCRIPTION	QTY.
1	64-5SM-ML34	BASE BOARD	1
2	ML34-SPACER-64	SOLDER TO BOTTOM #1	1
3	PINS2	SOLDER TO TOP#1	64

SHEET: 1 OF 2	DATE: 10/29/04	REVISION: C	ASSEMBLY DRAWING
CHECKED: Perry Munroe	DRAWN: Huy Nguyen	ITEM: EPP064ML34SM	
Scale 2:1	DO NOT SCALE DRAWING	DESCRIPTION: EPP-064-ML34-SM	

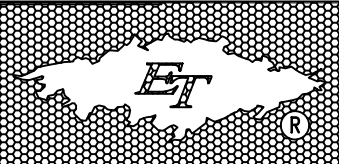
REV	DESCRIPTION	DATE	BY
A	NEW DRAWING	10/29/04	H.N.

F6738

PIN MAP TOP VIEW



ALL DIMENSIONS ARE IN INCHES UNLESS OTHERWISE SPECIFIED



Emulation Technology, Inc.
 — VLSI and SMT ADAPTERS and ACCESSORIES —

2344 Walsh Avenue, Bldg.F
 Santa Clara, Ca 95051

TEL:(408)982-0660
 FAX:(408)982-0664

SHEET: 2 OF 2	DATE: 10/29/04	REVISION: A	ASSEMBLY DRAWING
CHECKED: Perry Munroe	DRAWN: Huy Nguyen	ITEM: EPP064ML34SM	DESCRIPTION: EPP-064-ML34-SM
Scale N/A	DO NOT SCALE DRAWING		