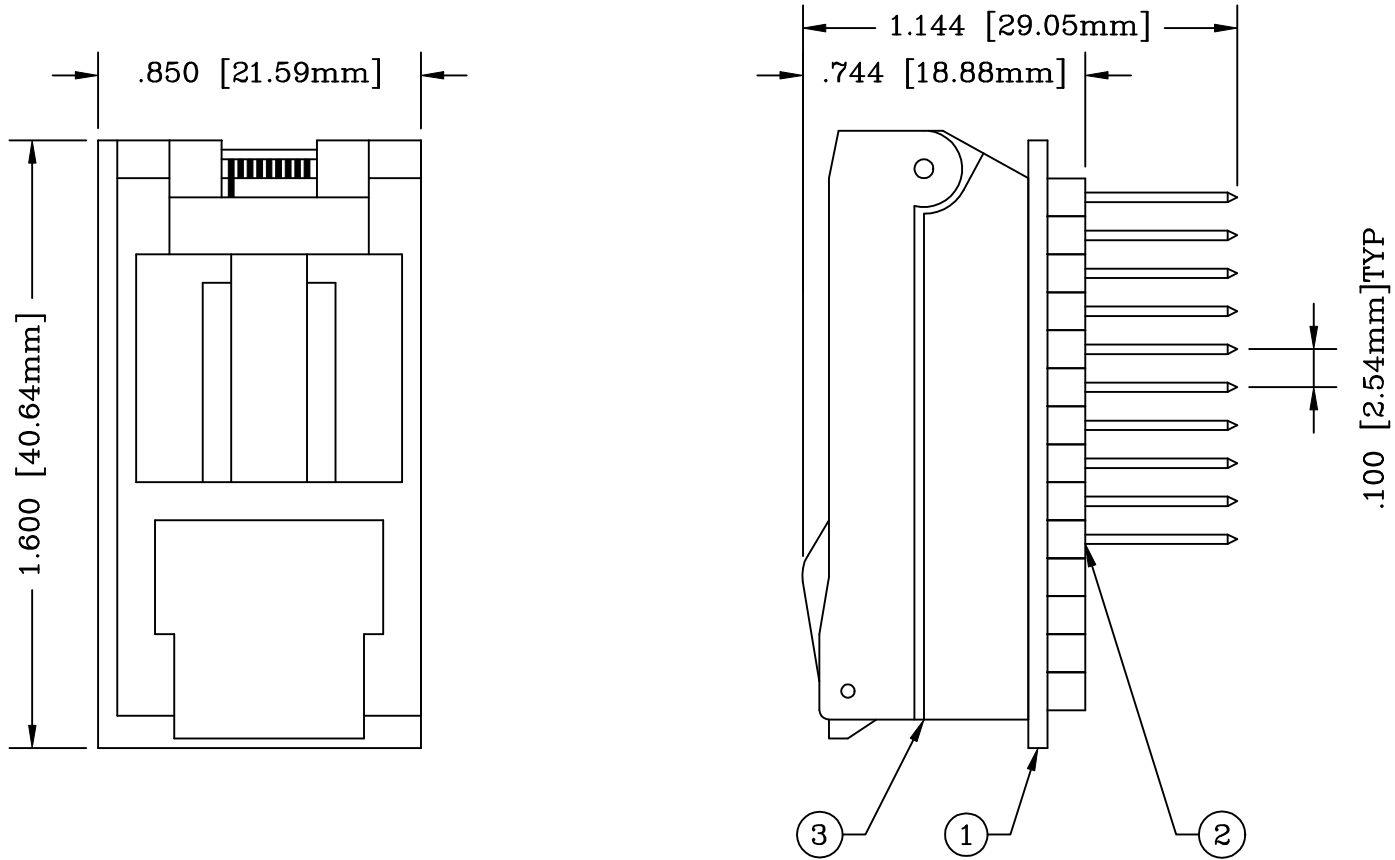


REV	DESCRIPTION	DATE	BY
A	NEW DRAWING	3/15/01	A.F.

F6264
DOD 36264



SCALE 2:1

ALL DIMENSIONS ARE IN INCHES UNLESS OTHERWISE SPECIFIED

	Emulation Technology, Inc.	
	— VLSI and SMT ADAPTERS and ACCESSORIES —	
2344 Walsh Avenue, Bldg. F Santa Clara, Ca 95051		TEL:(408)982-0660 FAX:(408)982-0664

NO.	ITEM	DESCRIPTION	QTY.
1	AG-28-28-01/03S	BASE BOARD	1
2	WWPOST-40-PGA	TRIM PINS 11-18	1
3	S-SOR-00-020-B	MOUNT ON TOP OF #1	1

SHEET: 1 OF 1	DATE: 3/15/01	REVISION: A	ASSEMBLY DRAWING
CHECKED: Perry Munroe	DRAWN: Aaron Fine	ITEM: 202001S300-GANG	
DO NOT SCALE DRAWING			DESCRIPTION: AS-20-20-01S-3-GANG, WIRED 1T01(20-S003).295INB.05P