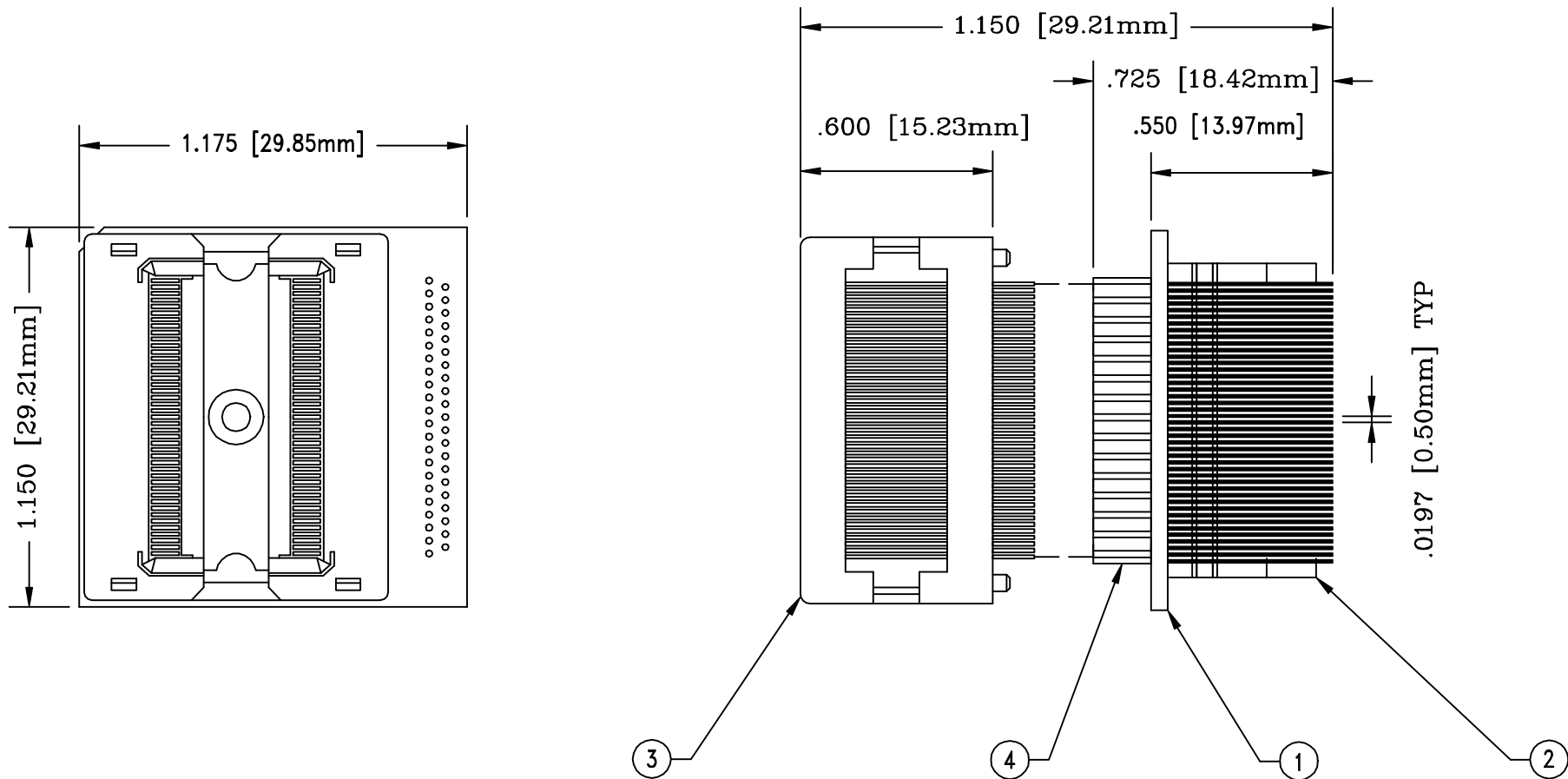


REV	DESCRIPTION	DATE	BY
A	NEW DRAWING	1/26/01	A.F.
B	UPDATED DRAWING & PACKAGE	11/14/02	H.N.

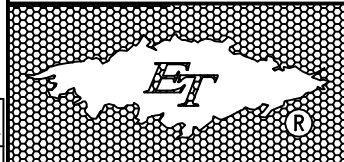
F6229
DOD 36229



THIS ADAPTER IS WIRED 1 TO 1

PACKAGE SPECIFICATIONS	
PIN COUNT	= 86
LEAD PITCH	= 0.50mm
PACKAGE WIDTH	= 10.16mm
ET PACKAGE CODE	= 86-T232

ALL DIMENSIONS ARE IN INCHES UNLESS OTHERWISE SPECIFIED



Emulation Technology, Inc.

— VLSI and SMT ADAPTERS and ACCESSORIES —

2344 Walsh Avenue, Bldg.F
Santa Clara, Ca 95051

TEL:(408)982-0660
FAX:(408)982-0664

NO.	ITEM	DESCRIPTION	QTY.
1	86-T232-Z	BASE BOARD	1
2	T232-SPACER-A	SOLDER BTM OF #1	1
3	S-TSO-00-086-A	SOLDER ON TOP OF #1	1
4	PINS2	MOUNT ON FRONT OF #1	86

SHEET: 1 OF 1	DATE: 11/14/02	REVISION: B	ASSEMBLY DRAWING
CHECKED: Perry Munroe	DRAWN: Hanh Nguyen	ITEM: APP086T232Z	
Scale 1:2	DO NOT SCALE DRAWING	DESCRIPTION: APP-086-T232Z-2	