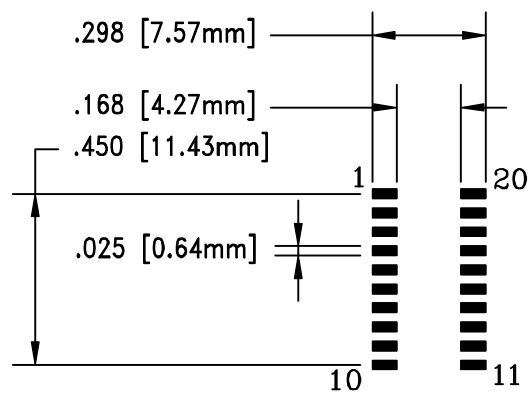
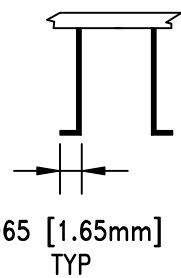
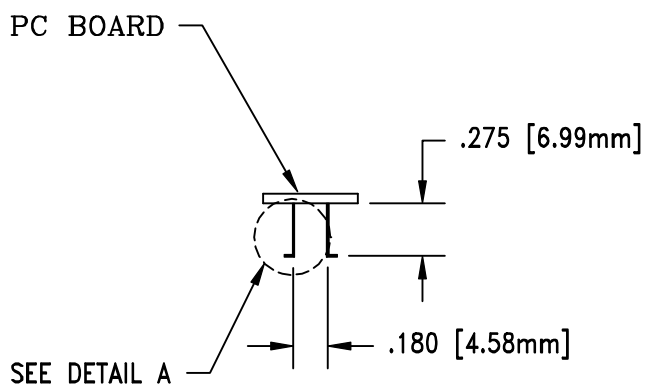
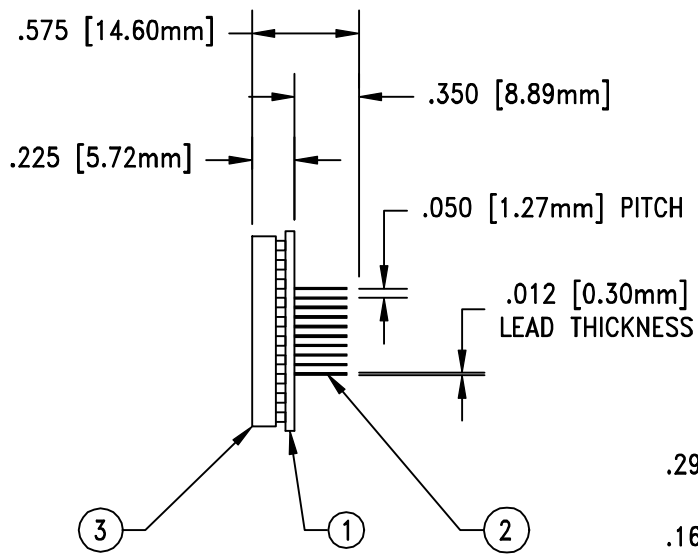
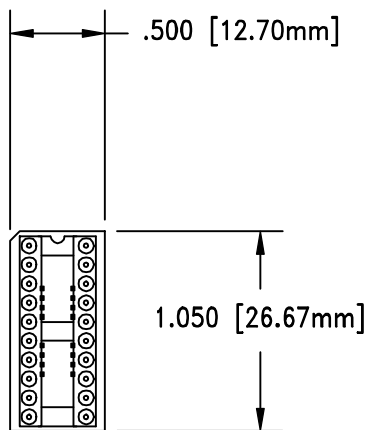


F5843

DOD 35843



DETAIL A

RECOMMENDED  
PAD LAYOUT

ALL DIMENSIONS ARE IN INCHES UNLESS OTHERWISE SPECIFIED



**Emulation Technology, Inc.**  
— VLSI and SMT ADAPTERS and ACCESSORIES —

2344 Walsh Avenue, Bldg. F  
Santa Clara, Ca 95051

TEL:(408)982-0660  
FAX:(408)982-0664

NO.	ITEM	DESCRIPTION	QTY.
1	20-DIP.3-S002	BASE BOARD	1
2	WWPOST-SMT-.012	MOUNT ON REAR OF #1	20
3	S-DIP-00-020-A	MOUNT ON TOP OF #1	1

SHEET: 1 OF 1	DATE: 8-04-00	REVISION:
CHECKED: Paula Olson	DRAWN: Miguel Delgadillo	

<b>ASSEMBLY DRAWING</b>
ITEM: ASDIP.3020S0022
DESCRIPTION: AS-DIP.3-020-S002-2

DO NOT SCALE DRAWING