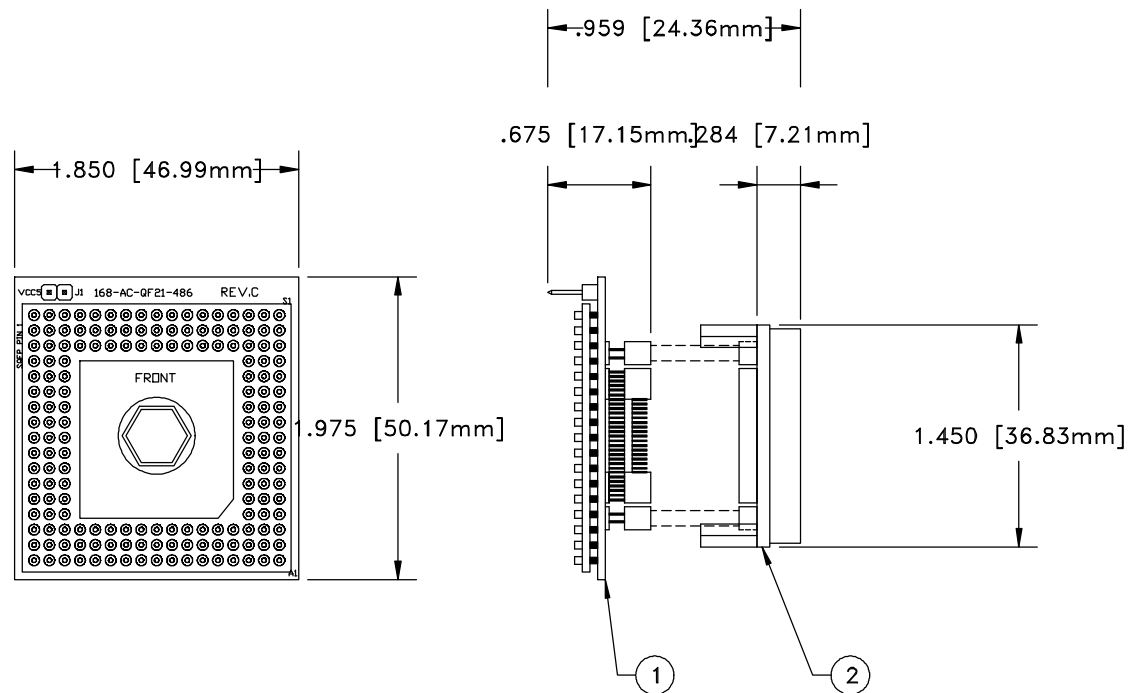


F5525

DOD 35525



ALL DIMENSIONS ARE IN INCHES UNLESS OTHERWISE SPECIFIED



Emulation Technology, Inc.
 — VLSI and SMT ADAPTERS and ACCESSORIES —

2344 Walsh Avenue, Bldg. F
 Santa Clara, Ca 95051

TEL:(408)982-0660
 FAX:(408)982-0664

SHEET: 1 OF 1	DATE: 6-14-99	REVISION:	ASSEMBLY DRAWING
CHECKED: DAN ALTMAN	DRAWN: GENE MCKENNA	ITEM: AC-V-214/INTELP	
DO NOT SCALE DRAWING			DESCRIPTION: AC-PGA10-QF21-486INTEL-PRESS/ON

NO.	ITEM	DESCRIPTION	QTY.
1	AX-168P10-AM486	TOP SUB ASSEMBLY	1
2	XZSINT-S208-P	BOTTOM SUB ASSEMBLY	1