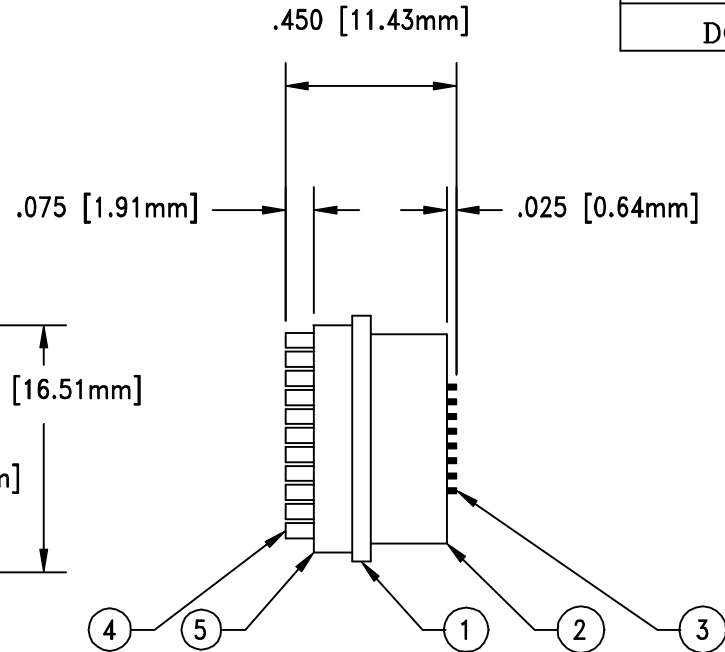
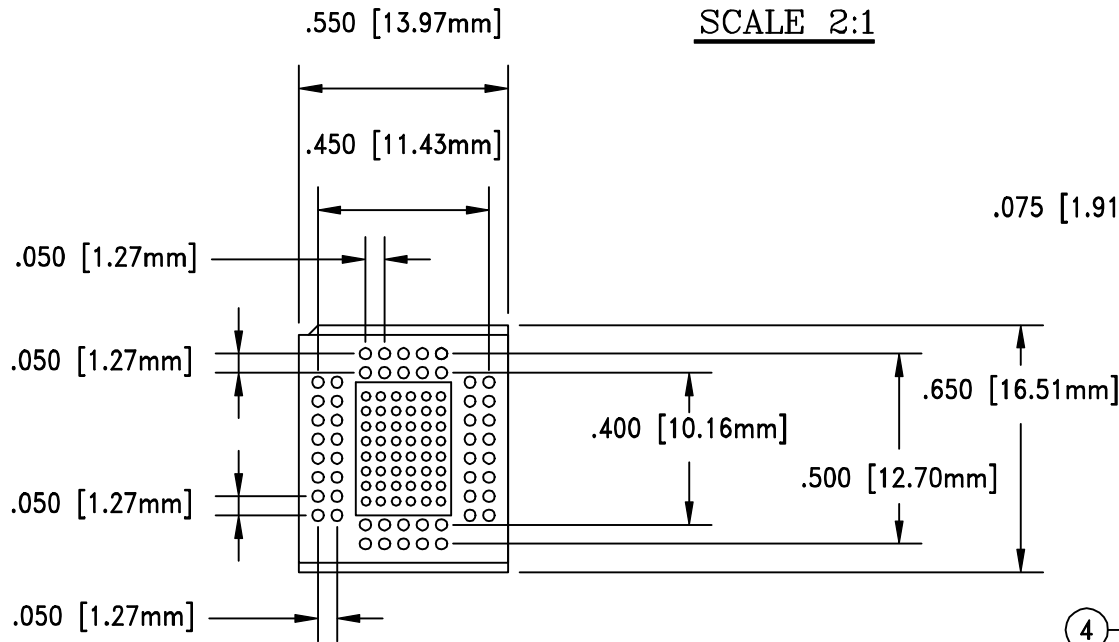


F5500

DOD 35500

SCALE 2:1



	48	46	44	42	40				
	NC	47	45	43	41				
1	2					NC	39		
3	4						38	37	
5	6						36	35	
7	8						34	33	
9	10	PIN MAP					32	31	
		(OUTER PAT)					30	29	
11	12						28	27	
13	14						26	25	
15	NC								
		17	19	21	23	NC			
		16	18	20	22	24			

A1	A2	A3	A4	A5	A6
B1	B2	B3	B4	B5	B6
C1	C2	C3	C4	C5	C6
D1	D2	D3	D4	D5	D6
E1	E2	E3	E4	E5	E6
F1	F2	F3	F4	F5	F6
G1	G2	G3	G4	G5	G6
H1	H2	H3	H4	H5	H6
PINMAP					
(INSIDE PAT)					

ALL DIMENSIONS ARE IN INCHES UNLESS OTHERWISE SPECIFIED



Emulation Technology, Inc.
 — VLSI and SMT ADAPTERS and ACCESSORIES —

2344 Walsh Avenue, Bldg. F
 Santa Clara, Ca 95051

TEL:(408)982-0660
 FAX:(408)982-0664

NO.	ITEM	DESCRIPTION	QTY.
1	48-3BG6X8-TP	BASE BOARD	1
2	SPCR-3BG6X8-A	MOUNT ON REAR W/ #3	1
3	PIN-1.00MM	POPULATE FULL GRID	48
4	PINS2	MOUNT ON TOP OF #1	52
5	SPCR-048-3-6X8S	MOUNT FRONT W/ #4	1

SHEET: 1 OF 1	DATE: 6-23-00	REVISION:	ASSEMBLY DRAWING
CHECKED: Paula Olson	DRAWN: Miguel Delgadillo	ITEM: BPE-048-3-6X8	
DO NOT SCALE DRAWING			DESCRIPTION: BPE-0048-3BG6X8-PN