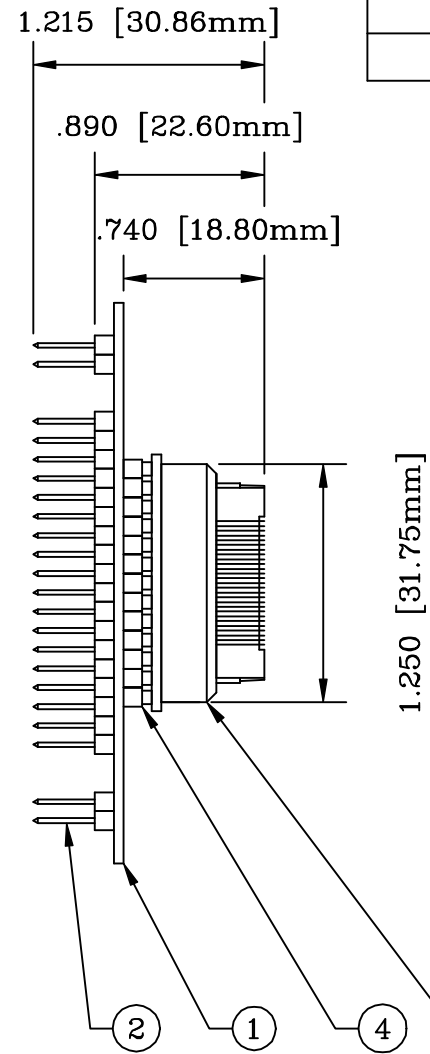
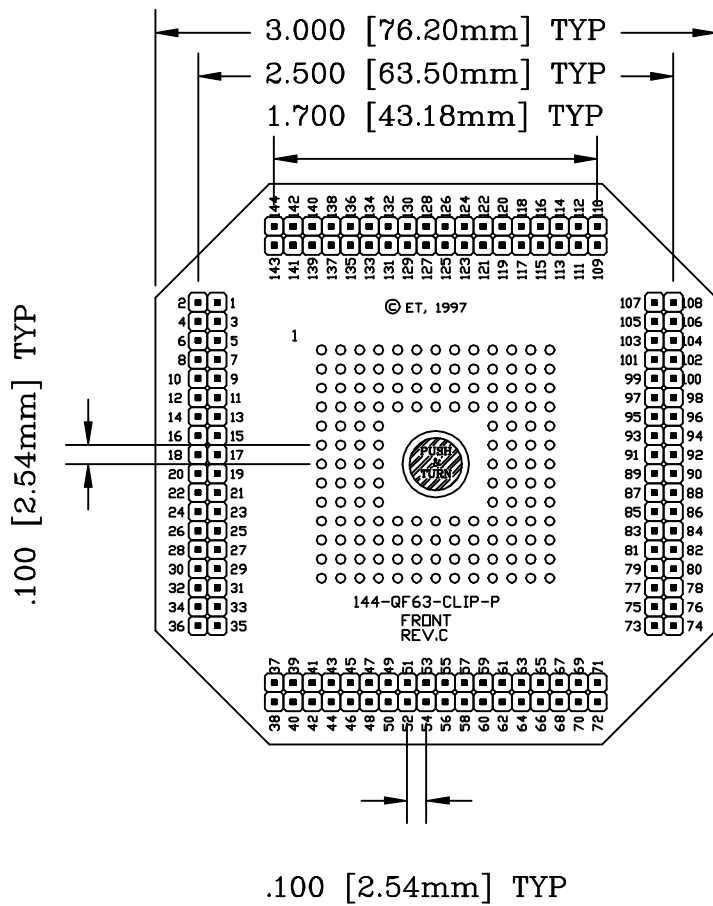



REV	DESCRIPTION	DATE	BY
A	NEW DRAWING	6/5/00	M.D.
B	UPDATED DRAWING & ADDED PG 2	02/14/02	H.N.

F4671
DOD 34671



NO.	ITEM	DESCRIPTION	QTY.
1	144-QF63-CLIP-P	BASE BOARD	1
2	WWPOST-36-AS-II	PLASTIC ON TOP OF #1	4
3	BASE-144-Q63-DL	MOUNT ON REAR OF #1	1
4	HEADER-MALE-32	MOUNT ON REAR OF #1	5

ALL DIMENSIONS ARE IN INCHES UNLESS OTHERWISE SPECIFIED



**Emulation Technology, Inc.**

— VLSI and SMT ADAPTERS and ACCESSORIES —

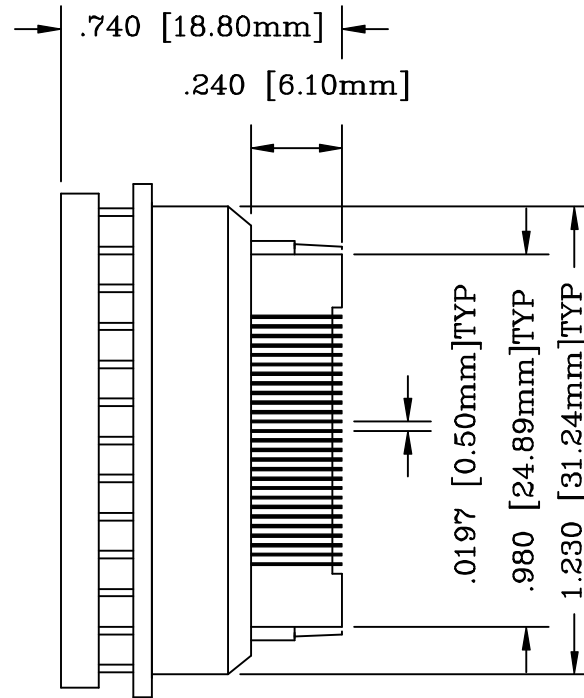
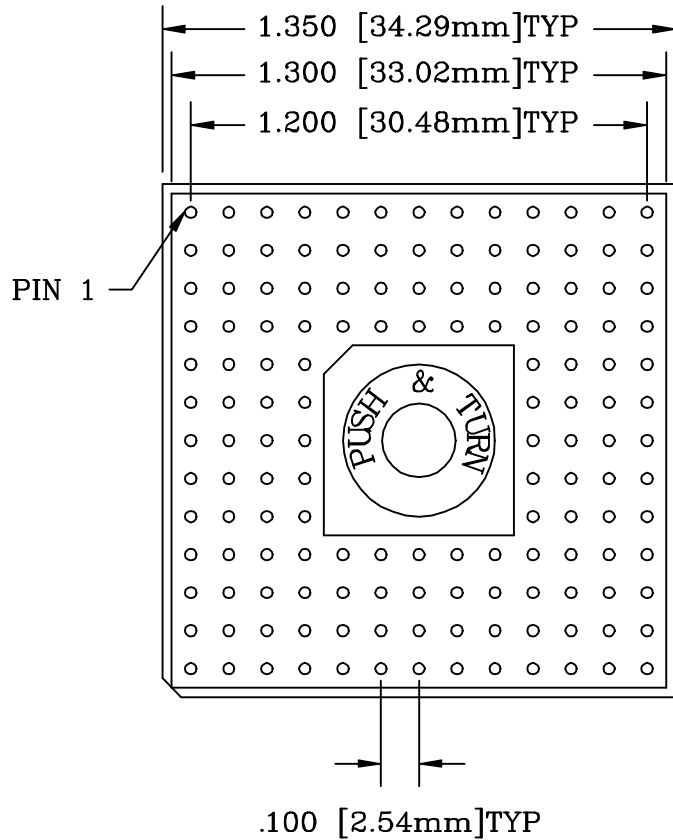
2344 Walsh Avenue, Bldg.F  
Santa Clara, Ca 95051

TEL:(408)982-0660  
FAX:(408)982-0664

SHEET: 1 OF 2	DATE: 02/14/02	REVISION: <b>B</b>	<b>ASSEMBLY DRAWING</b>
CHECKED: Perry Munroe		DRAWN: Huy Nguyen	
Scale 1:1		DO NOT SCALE DRAWING	
ITEM: CLIP144QF63DL			DESCRIPTION: CLIP-144-QF63-DL

REV	DESCRIPTION	DATE	BY
A	NEW DRAWING	02/14/02	H.N.

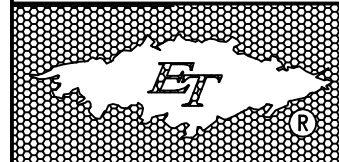
F4671  
DOD 34671



1	143	144	142	137	132	127	122	117	113	111	110	109
2	7	140	141	136	131	126	121	116	112	114	115	107
3	6	10	139	138	133	128	124	123	119	118	104	108
5	4	11	12	135	134	130	129	125	120	103	105	106
9	8	15	17						99	102	100	101
14	13	16	21						98	97	95	96
19	18	20	22						94	92	90	91
24	23	25	26						93	88	85	86
29	28	30	27						89	87	80	81
34	33	31	48	53	57	58	62	63	84	83	76	77
36	32	46	47	51	52	56	61	66	67	82	78	75
35	43	42	40	44	49	54	59	64	69	68	79	74
37	38	39	41	45	50	55	60	65	70	72	71	73

PACKAGE SPECIFICATIONS	
PIN COUNT	≡ 144
LEAD PITCH	≡ 0.50mm
PACKAGE SIZE	≡ 20.00mm SQUARE
TIP TO TIP	≡ 22.00mm SQUARE

ALL DIMENSIONS ARE IN INCHES UNLESS OTHERWISE SPECIFIED



**Emulation Technology, Inc.**

— VLSI and SMT ADAPTERS and ACCESSORIES —

2344 Walsh Avenue, Bldg.F Santa Clara, Ca 95051  
TEL:(408)982-0660 FAX:(408)982-0664

SHEET: 2 OF 2	DATE: 02/14/02	REVISION: A	<b>ASSEMBLY DRAWING</b>
CHECKED: Perry Munroe	DRAWN: Huy Nguyen	ITEM: CLIP144QF63DL	DESCRIPTION: CLIP-144-QF63-DL
Scale 2:1	DO NOT SCALE DRAWING		