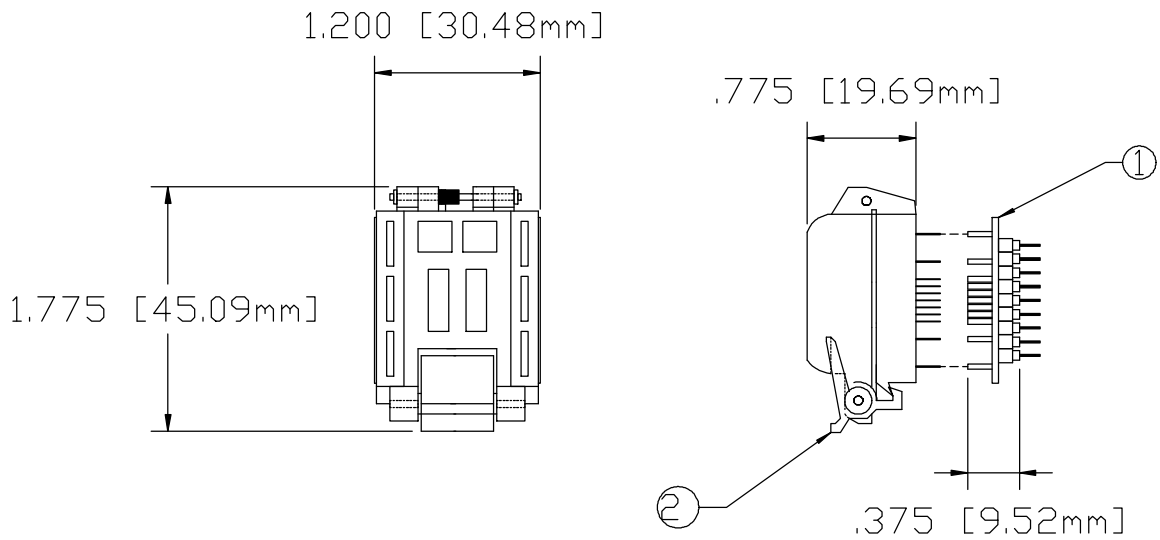


F4511
DOD 34511



ALL DIMENSIONS ARE IN INCHES UNLESS OTHERWISE SPECIFIED

Emulation Technology, Inc
 — VLSI and SMT ADAPTERS and ACCESSORIES —
 2344 Walsh Avenue, Bldg. F Santa Clara, Ca 95051
 TEL:(408)982-0660 FAX:(408)982-0664

NO.	ITEM	DESCRIPTION	QTY.
1	AB52QF39ZP6M0	SUB ASSEMBLY	1
2	S-QFP-00-052-A	PLUG IN ON TOP OF #1	1

SHEET: 1 OF 1	DATE: 2-2-98	REVISION:	ASSEMBLY DRAWING
CHECKED: Dan Altman	DRAWN: Gary Gippetti	ITEM: AB52QF39ZP6M1	
DO NOT SCALE DRAWING		DESCRIPTION: AB-052-QF39Z-P6-M-1	