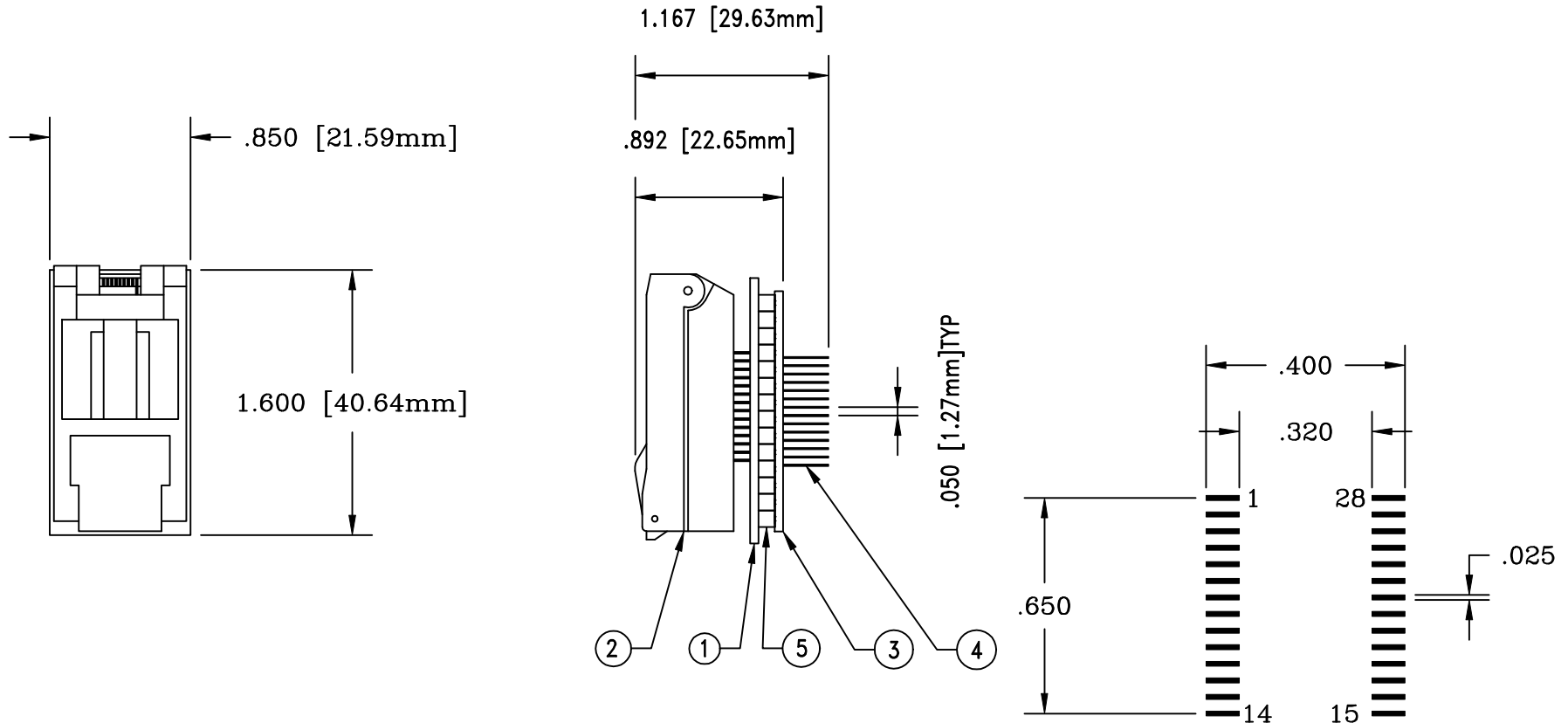


REV	DESCRIPTION	DATE	BY
A	NEW DRAWING	6/20/00	M.D.
B	CHANGED SOCKET ORIENTATION	4/2/01	A.F.

F4347
DOD 34347



NO.	ITEM	DESCRIPTION	QTY.
1	AG-28-28-01/03S	BASE BOARD	1
2	S-SOR-00-028-A	MOUNT ON TOP OF #1	1
3	16/28-SOL1	BOTTOM BASE BOARD	1
4	WWPOST-SMT-.012	MOUNT ON REAR OF #6	28
5	WWPOST-36-AS-II	INTERCONNECT 1 & 6	2

ALL DIMENSIONS ARE IN INCHES UNLESS OTHERWISE SPECIFIED

Emulation Technology, Inc.
 — VLSI and SMT ADAPTERS and ACCESSORIES —

2344 Walsh Avenue, Bldg. F
 Santa Clara, Ca 95051
 TEL:(408)982-0660
 FAX:(408)982-0664

SHEET: 1 OF 1 DATE: 6-20-00 REVISION: B

CHECKED: Paula Olson DRAWN: Miguel Delgadillo ITEM: APP028S003Z

DO NOT SCALE DRAWING DESCRIPTION: APP-28-S003Z-2-NTP