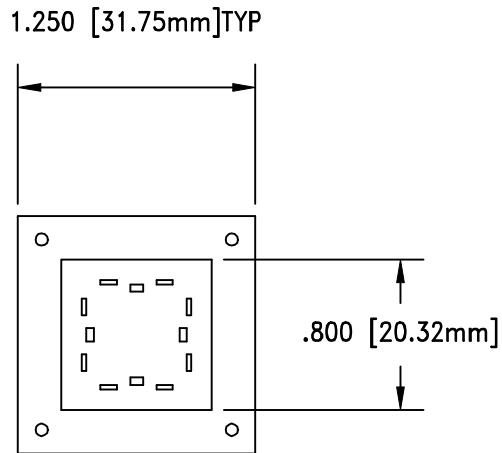


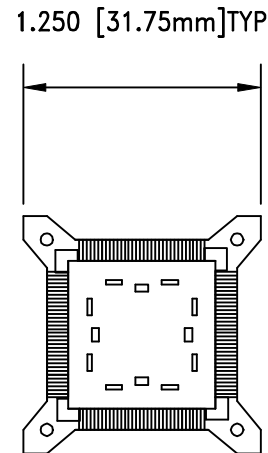
DIMENSIONS ARE IN INCHES [MILLIMETERS]

F4341

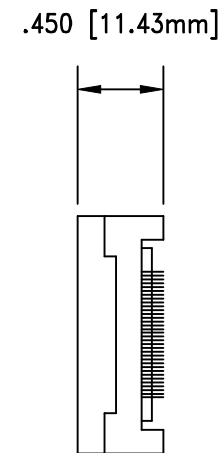
DOD 34341



RETENTION FRAME



SOCKET



ASSEMBLY

**SURFACE MOUNT SOCKET**

ET-PACKAGE CODE= 112-QF36B

- LEAD COUNT= 112
- BODY SIZE= 20mm
- LEAD PITCH= 0.65mm
- TIP TO TIP= 23.2mm

ALL DIMENSIONS ARE IN INCHES UNLESS OTHERWISE SPECIFIED



**Emulation Technology, Inc.**  
 — VLSI and SMT ADAPTERS and ACCESSORIES —

2344 Walsh Avenue, Bldg. F  
 Santa Clara, Ca 95051

TEL:(408)982-0660  
 FAX:(408)982-0664

SHEET:  
1 OF 1

DATE:  
6-09-00

REVISION:

**ASSEMBLY DRAWING**

CHECKED:  
Paula Olson

DRAWN:  
Miguel Delgadillo

ITEM: S-QFP-SM-112-A

**DO NOT SCALE DRAWING**

DESCRIPTION:  
S-QFP-SM-112-A