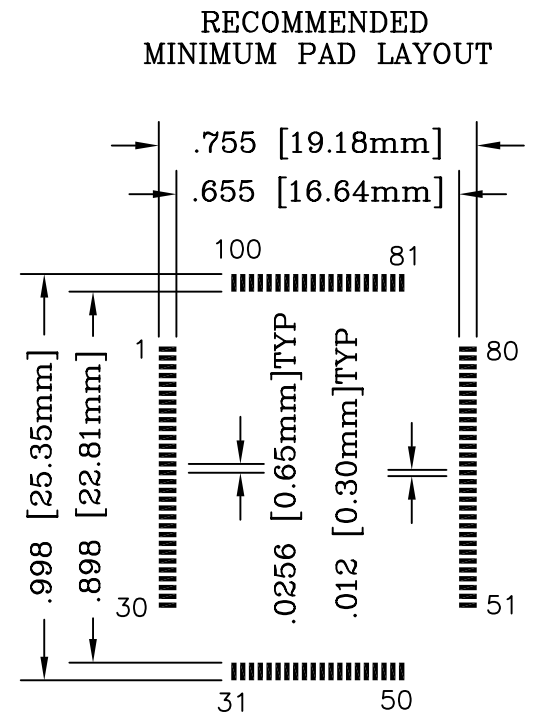
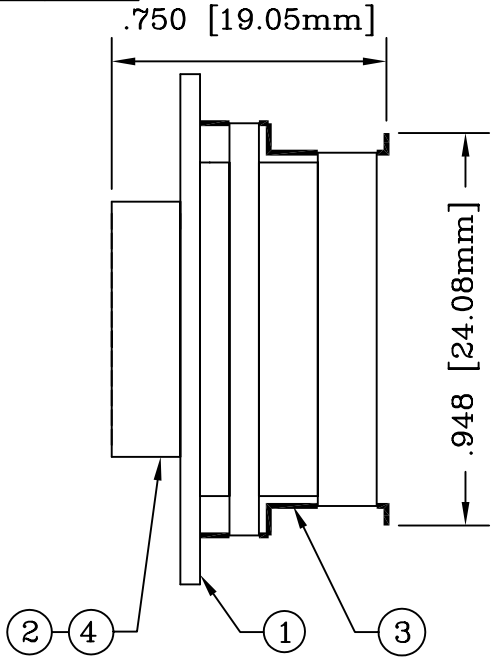
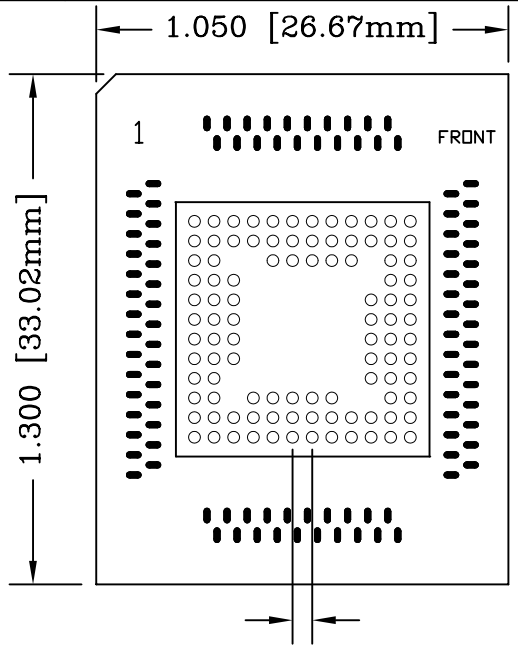
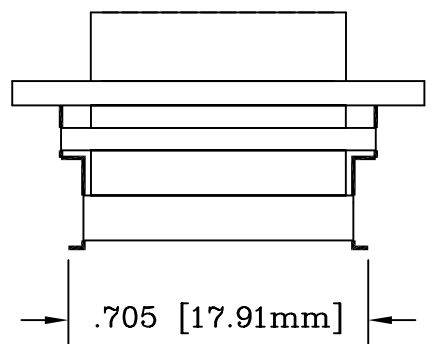


REV	DESCRIPTION	DATE	BY
A	NEW DRAWING	11/07/00	A.F.
B	UPDATED DWG & ITEM # 4	04/09/03	H.N.
C	UPDATED DWG & PAD LAYOUT	11/10/05	H.N.

F4337



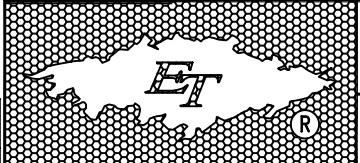
.050 [1.27mm] TYP



3	2	100	99	97	94	91	88	85	82	79	80	
5	4	1	98	96	93	90	87	84	81	77	78	
7	6		95	92	89	86	83			75	76	
10	9	8								73	74	
13	12	11								70	71	72
16	15	14								67	68	69
19	18	17								64	65	66
22	21	20								61	62	63
24	23									58	59	60
26	25		33	36	39	42	45			56	57	
28	27	31	34	37	40	43	46	48	51	54	55	
30	29	32	35	38	41	44	47	49	50	52	53	

PIN MAP

ALL DIMENSIONS ARE IN INCHES UNLESS OTHERWISE SPECIFIED



Emulation Technology, Inc.
 — VLSI and SMT ADAPTERS and ACCESSORIES —
 2344 Walsh Avenue, Bldg.F Santa Clara, Ca 95051
 TEL:(408)982-0660 FAX:(408)982-0664

NO.	ITEM	DESCRIPTION	QTY.
1	100-QF06-S	BASE BOARD	1
2	PINS2	MOUNT ON FRONT OF #1	100
3	QF06-SPACER-A	MOUNT ON REAR OF #1	1
4	SPACER-100Q6	USE WITH #2	1

SHEET: 1 OF 1	DATE: 04/09/03	REVISION: C	ASSEMBLY DRAWING
CHECKED: Perry Munroe	DRAWN: Huy Nguyen	ITEM: EPP100QF06SM	
Scale 2:1	DO NOT SCALE DRAWING	DESCRIPTION: EPP-100-QF06-SM	