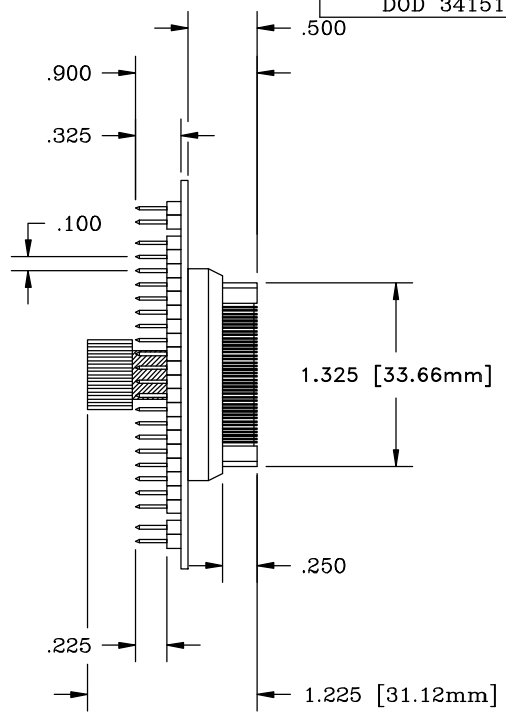
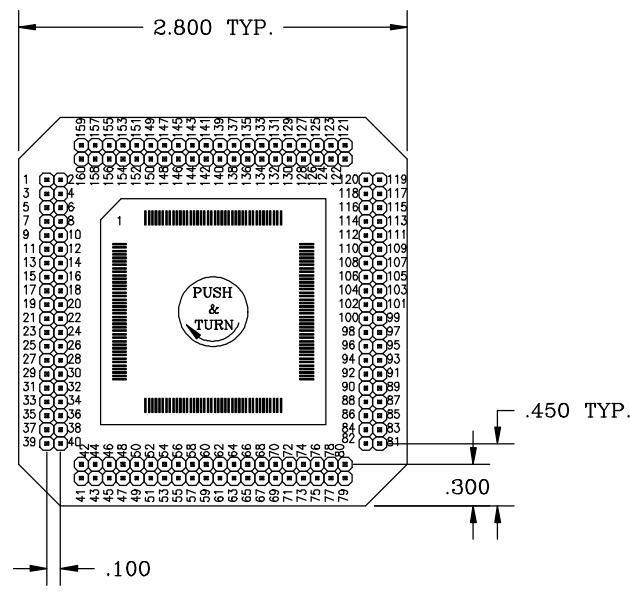



F4151
DOD 34151



ALL DIMENSIONS ARE IN INCHES UNLESS OTHERWISE SPECIFIED

		Emulation Technology, Inc —VLSI and SMT ADAPTERS and ACCESSORIES—	
		2344 Walsh Avenue, Bldg. F Santa Clara, Ca 95051	TEL:(408)982-0660 FAX:(408)982-0664
SHEET: 1 OF 1	DATE: 10/6/99	REVISION:	ASSEMBLY DRAWING
CHECKED:	DRAWN: JAMES GOUVEIA	ITEM: CLIP160QF07BL	DESCRIPTION:
DO NOT SCALE DRAWING			CLIP-160-QF07-B-L