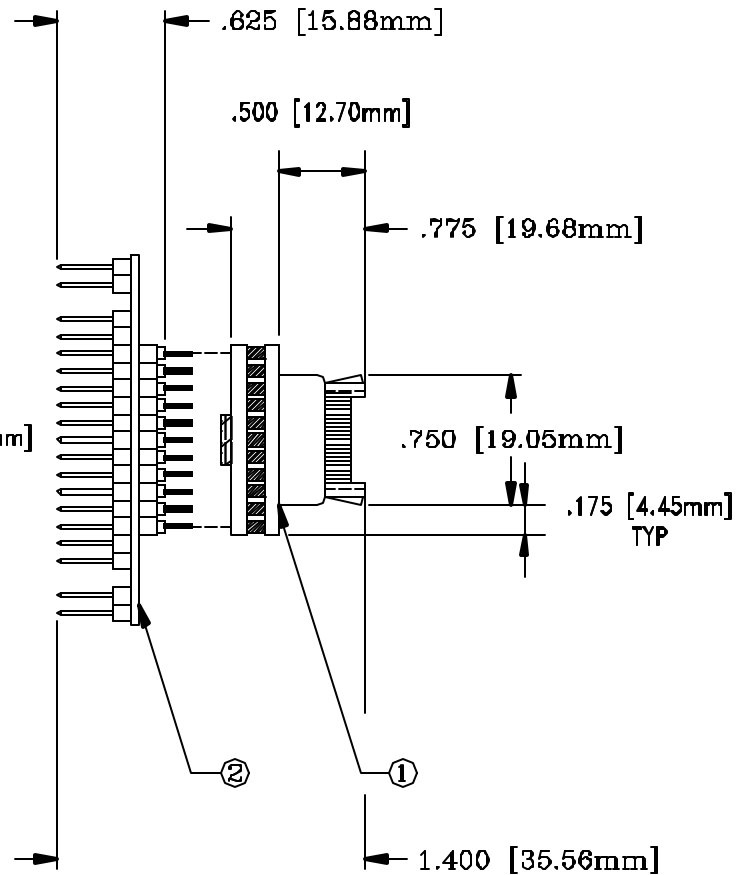
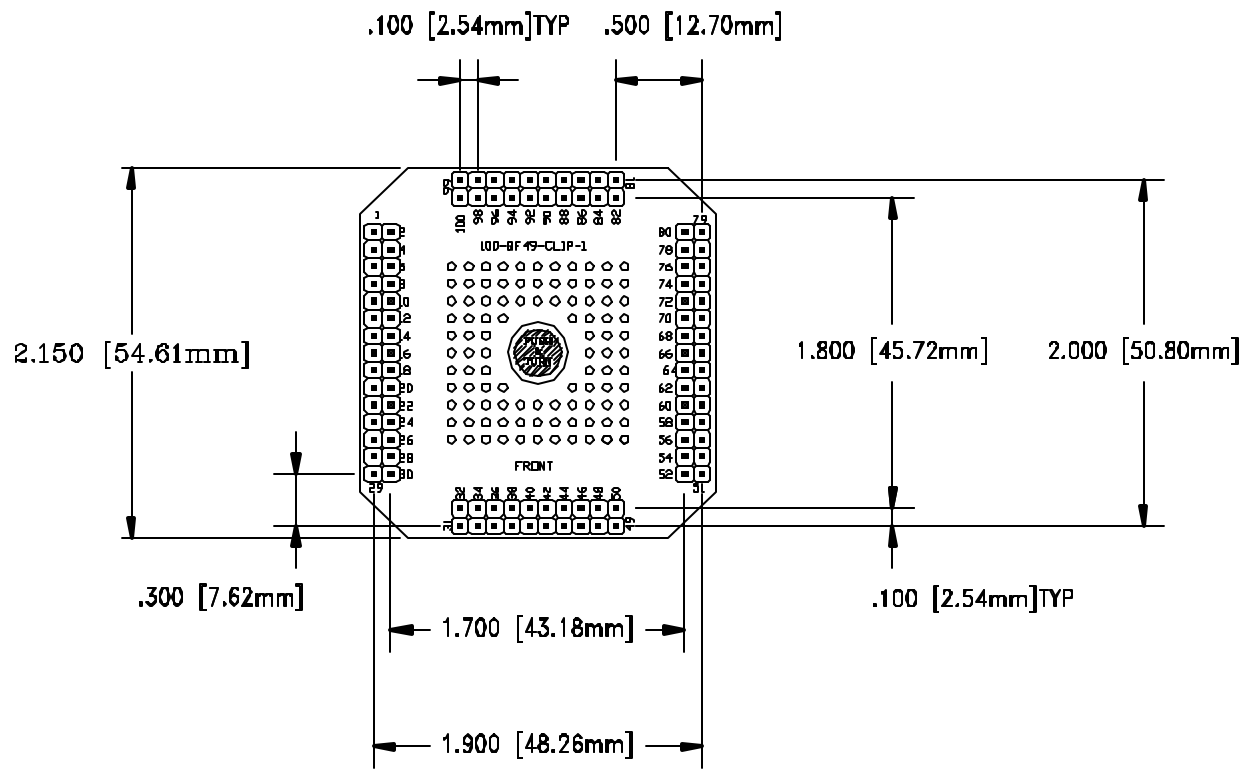


F3720

DOD33720



ALL DIMENSIONS ARE IN INCHES UNLESS OTHERWISE SPECIFIED



Emulation Technology, Inc.
 — VLSI and SMT ADAPTERS and ACCESSORIES —

2344 Walsh Avenue, Bldg. F
 Santa Clara, Ca 95051

TEL:(408)982-0660
 FAX:(408)982-0664

NO.	ITEM	DESCRIPTION	QTY.
1	BASE-100-QF49-D	CLIP BASE	1
2	CLIP-100-QF49-1	TOP SUB ASSEMBLY	1

SHEET: 1 OF 1	DATE: 9/1/99	REVISION:	ASSEMBLY DRAWING
CHECKED: Dan Altman	DRAWN: JAMES GOUVEIA	ITEM: CLIP100QF49D	
DO NOT SCALE DRAWING			DESCRIPTION: CLIP-100-QF49-D