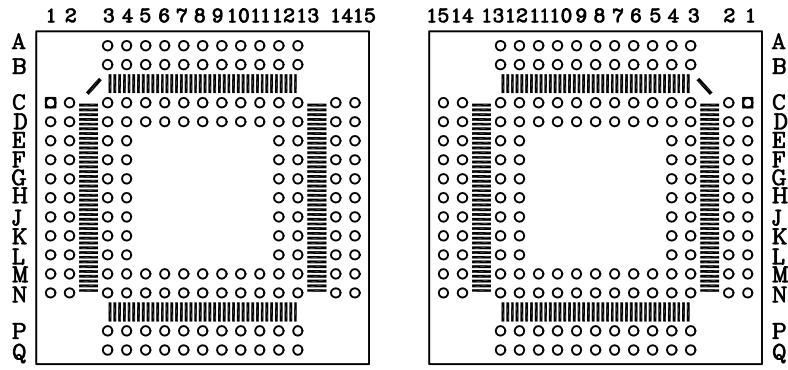


REV	DESCRIPTION	DATE	BY
A	NEW DRAWING	3/31/98	G.M.
B	UPDATED DWG & ADDED PINOUT	06/21/02	H.N.

F2970
DOD 32970

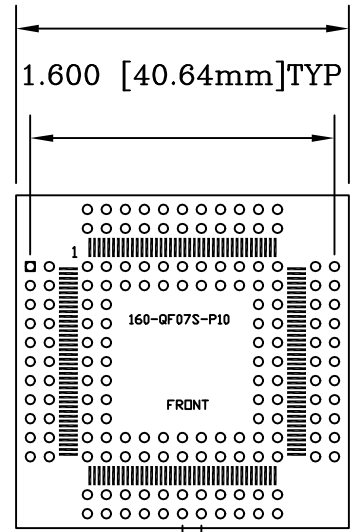


TOP VIEW-PQFP BOTTOM VIEW-BASE

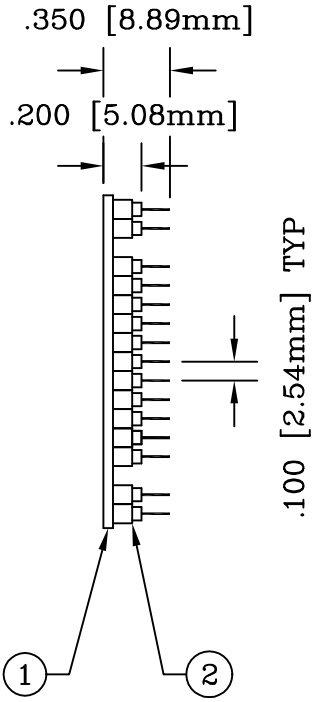
CONNECTION TABLE

QFP BASE	QFP BASE	QFP BASE	QFP BASE	QFP BASE	QFP BASE
1 C1	23 J1	45 N4	67 M9	89 L14	111 E15
2 C2	24 J3	46 Q5	68 P10	90 L12	112 E13
3 D1	25 J2	47 M4	69 N10	91 K15	113 E14
4 D3	26 J4	48 P5	70 Q11	92 K13	114 E12
5 D2	27 K1	49 N5	71 M10	93 K14	115 D15
6 D4	28 K3	50 Q6	72 P11	94 K12	116 D13
7 E1	29 K2	51 M5	73 N11	95 J15	117 D14
8 E3	30 K4	52 P6	74 Q12	96 J13	118 C15
9 E2	31 L1	53 N6	75 M11	97 J14	119 C14
10 E4	32 L3	54 Q7	76 P12	98 J12	120 C13
11 F1	33 L2	55 M6	77 N12	99 H15	121 A13
12 F3	34 L4	56 P7	78 Q13	100 H13	122 B13
13 F2	35 M1	57 N7	79 P13	101 H14	123 A12
14 F4	36 M3	58 Q8	80 N13	102 H12	124 B12
15 G1	37 M2	59 M7	81 N15	103 G15	125 C12
16 G3	38 N1	60 P8	82 N14	104 G13	126 A11
17 G2	39 N2	61 N8	83 M15	105 G14	127 D12
18 G4	40 N3	62 Q9	84 M13	106 G12	128 B11
19 H1	41 Q3	63 M8	85 M14	107 F15	129 C11
20 H3	42 P3	64 P9	86 M12	108 F13	130 A10
21 H2	43 Q4	65 N9	87 L15	109 F14	131 D11
22 H4	44 P4	66 Q10	88 L13	110 F12	132 B10
133 C10	138 A8	143 D8	148 B6	153 C5	158 A3
134 A9	139 D9	144 B7	149 C6	154 A4	159 B3
135 D10	140 B8	145 C7	150 A5	155 D5	160 C3
136 B9	141 C8	146 A6	151 D6	156 B4	
137 C9	142 A7	147 D7	152 B5	157 C4	

1.750 [44.45mm] TYP



.100 [2.54mm] TYP



ALL DIMENSIONS ARE IN INCHES UNLESS OTHERWISE SPECIFIED

Emulation Technology, Inc.
 — VLSI and SMT ADAPTERS and ACCESSORIES —

2344 Walsh Avenue, Bldg.F Santa Clara, Ca 95051 TEL:(408)982-0660 FAX:(408)982-0664

SHEET: 1 OF 1	DATE: 06/21/02	REVISION: B	ASSEMBLY DRAWING
CHECKED: Perry Munroe	DRAWN: Huy Nguyen	ITEM: AB160QF07SP10M	
Scale 1:1	DO NOT SCALE DRAWING	DESCRIPTION: AB-160-QF07S-P10-M	

NO.	ITEM#	DESCRIPTION	QTY.
1	160-QF07S-P10	BASE BOARD	1
2	HEADER-MALE-32	MOUNT ON REAR OF #1	5