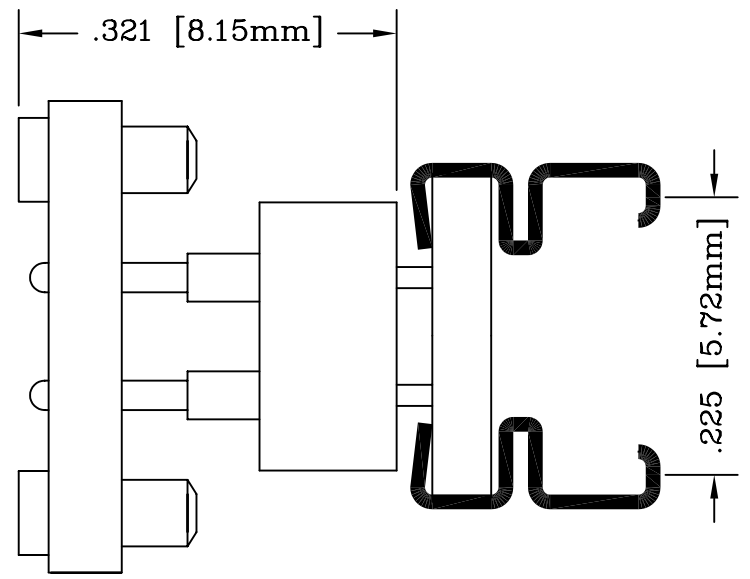
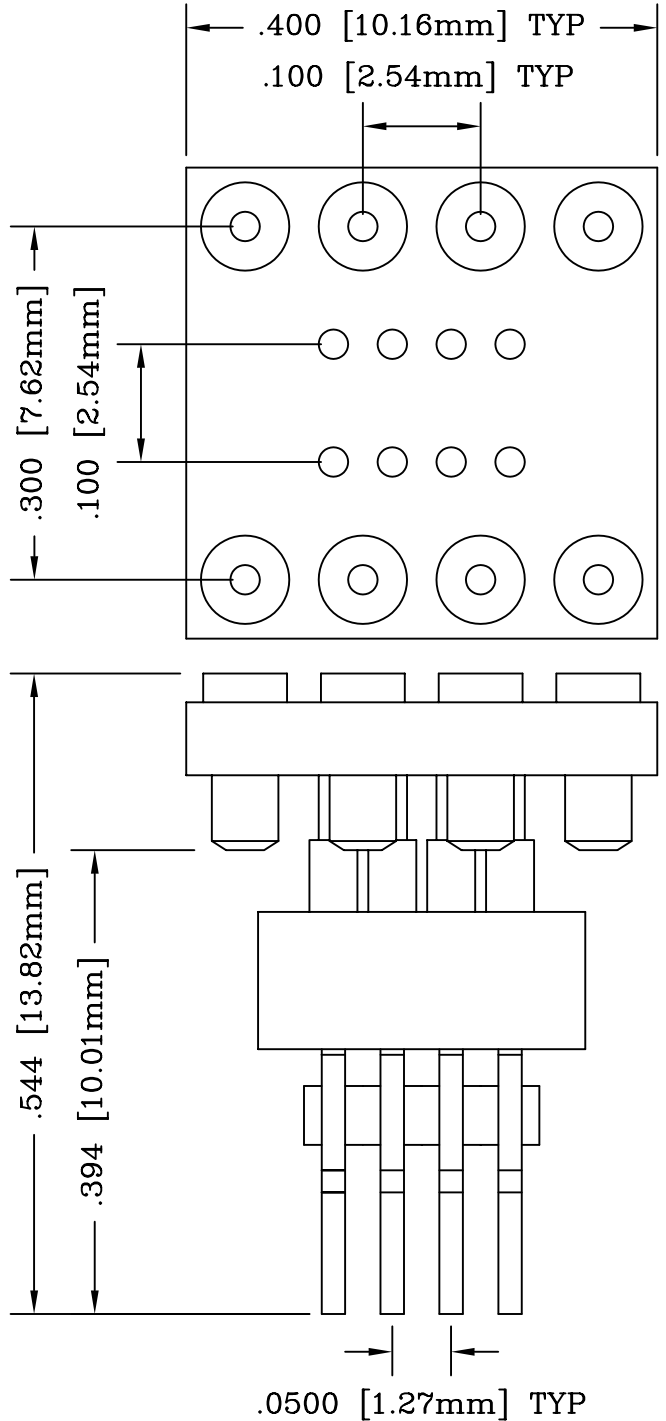
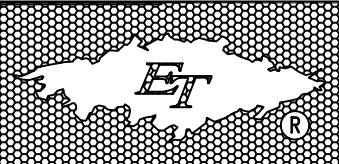


REV	DESCRIPTION	DATE	BY
A	NEW DRAWING	12/21/94	P.M.
B	UPDATED DRAWING	06/09/04	H.N.

F2434



ALL DIMENSIONS ARE IN INCHES UNLESS OTHERWISE SPECIFIED



Emulation Technology, Inc.
 — VLSI and SMT ADAPTERS and ACCESSORIES —
 2344 Walsh Avenue, Bldg.F Santa Clara, Ca 95051
 TEL:(408)982-0660 FAX:(408)982-0664

SHEET: 1 OF 1	DATE: 06/09/04	REVISION: A	ASSEMBLY DRAWING
CHECKED: Perry Munroe	DRAWN: Huy Nguyen	ITEM: ASDIP.3008S0012	DESCRIPTION: AS-DIP.3-008-S001-2
Scale 6:1	DO NOT SCALE DRAWING		