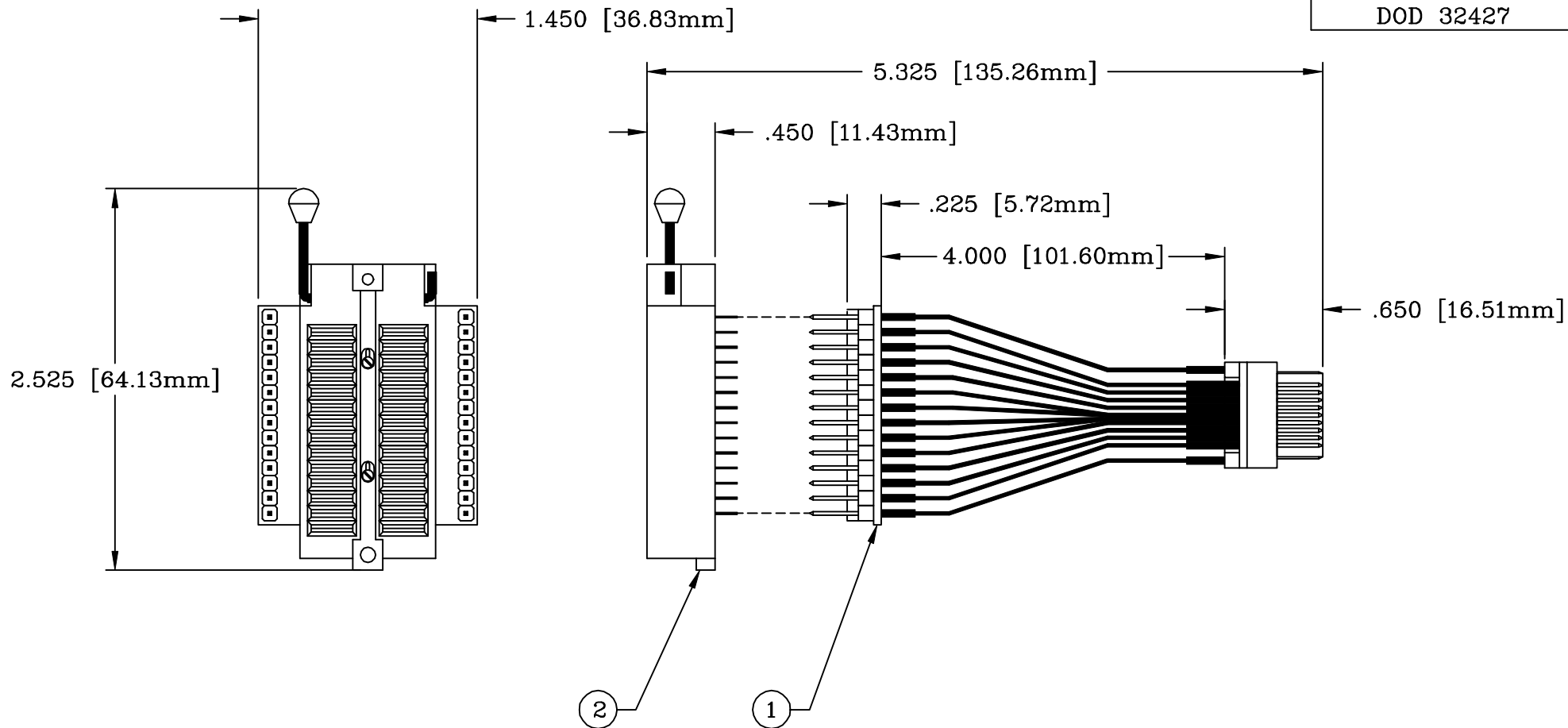


F2427

DOD 32427



ALL DIMENSIONS ARE IN INCHES UNLESS OTHERWISE SPECIFIED



**Emulation Technology, Inc.**

— VLSI and SMT ADAPTERS and ACCESSORIES —

2344 Walsh Avenue, Bldg. F  
Santa Clara, Ca 95051

TEL:(408)982-0660  
FAX:(408)982-0664

SHEET: 1 OF 1	DATE: 5-5-95	REVISION:	<b>ASSEMBLY DRAWING</b>
CHECKED: GABOR KARDOS	DRAWN: Van Champion	ITEM: 283201DPCCZ-GNG	
DO NOT SCALE DRAWING			DESCRIPTION: AS-DIP-PCC-64/512EPROMGZ

NO.	ITEM#	DESCRIPTION	QTY.
1	283201DPCC-GANG	SUBASSEMBLY	1
2	S-DIP-00-028-AZ	PLUG IN ON TOP	1