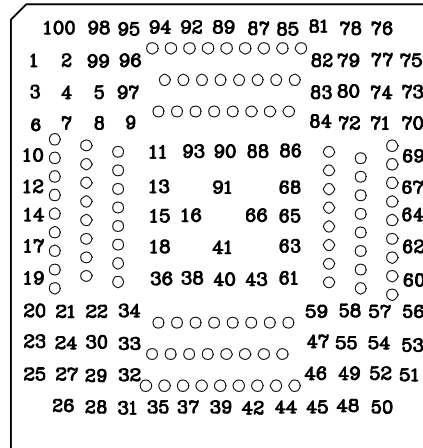
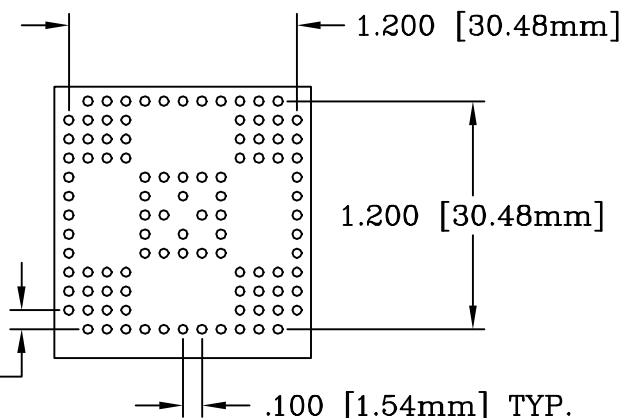


100-QF49Z-P3



Pin 1 of socket is at Top left corner.



BOTTOM VIEW

ALL DIMENSIONS ARE IN INCHES UNLESS OTHERWISE SPECIFIED



Emulation Technology, Inc.

— VLSI and SMT ADAPTERS and ACCESSORIES —

2344 Walsh Avenue, Bldg. F
Santa Clara, Ca 95051

TEL:(408)982-0660
FAX:(408)982-0664

NO.	ITEM	DESCRIPTION	QTY.
1	AB100QF49ZP3M0	BASE SUB ASSEMBLY	1
2	S-QFP-00-100-G	PLUG ON TOP OF #1	1

SHEET: 1 OF 1	DATE: 4-27-94	REVISION:	ASSEMBLY DRAWING
CHECKED: GABOR KARDOS	DRAWN: Paula McKenna	ITEM: AB100QF49ZP3M1	
DO NOT SCALE DRAWING		DESCRIPTION: AB-100-QF49Z-P3-M-1	