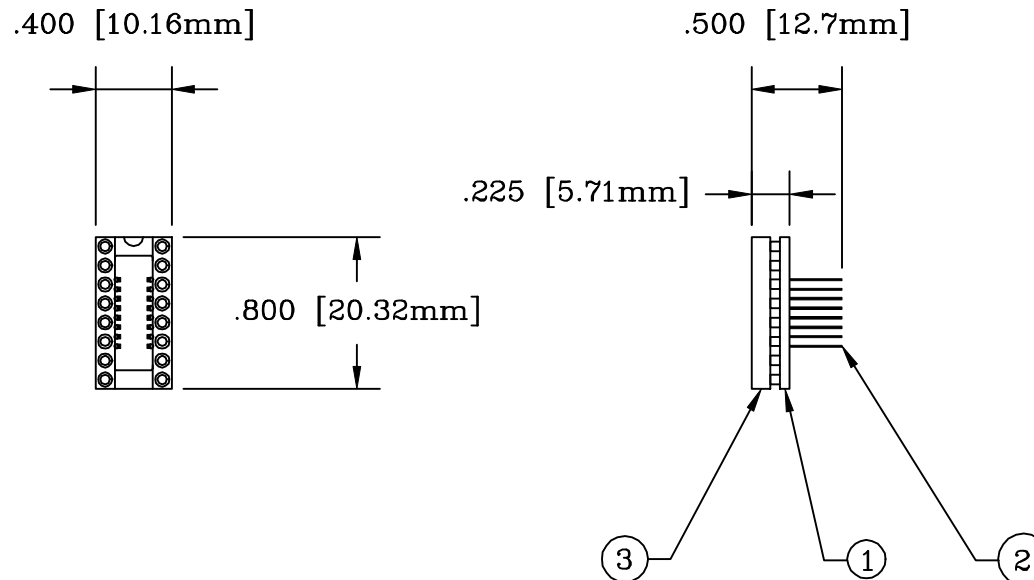


F2110

DOD 32110



ALL DIMENSIONS ARE IN INCHES UNLESS OTHERWISE SPECIFIED



Emulation Technology, Inc.

— VLSI and SMT ADAPTERS and ACCESSORIES —

2344 Walsh Avenue, Bldg. F
Santa Clara, Ca 95051

TEL:(408)982-0660
FAX:(408)982-0664

NO.	ITEM	DESCRIPTION	QTY.
1	16-DIP.3-S002	BASE BOARD	1
2	WWPOST-SMT-.012	MOUNT ON REAR OF #1	16
3	S-DIP-00-016-A	MOUNT ON TOP OF #1	1

SHEET: 1 OF 1	DATE: 11/03/93	REVISION:	ASSEMBLY DRAWING
CHECKED: GABOR KARDOS	DRAWN: DAN ALTMAN	ITEM: ASDIP.316S0031	
DO NOT SCALE DRAWING			DESCRIPTION: AS-DIP.3-016-S003-1